



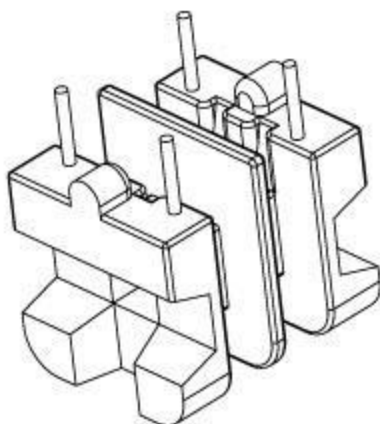
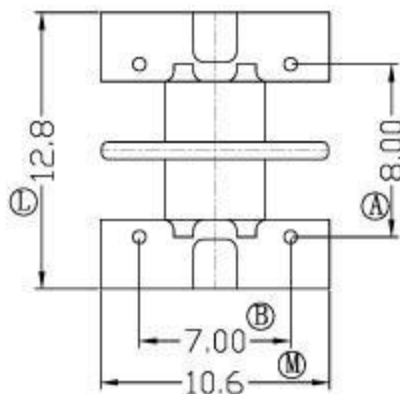
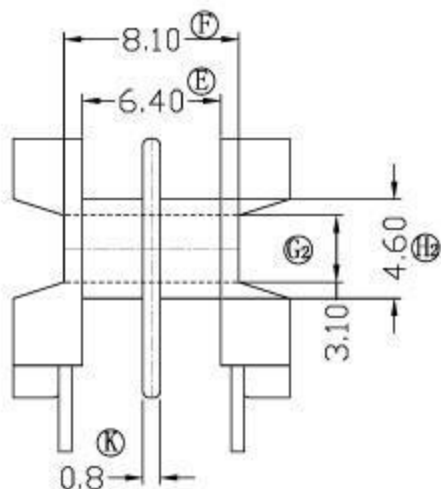
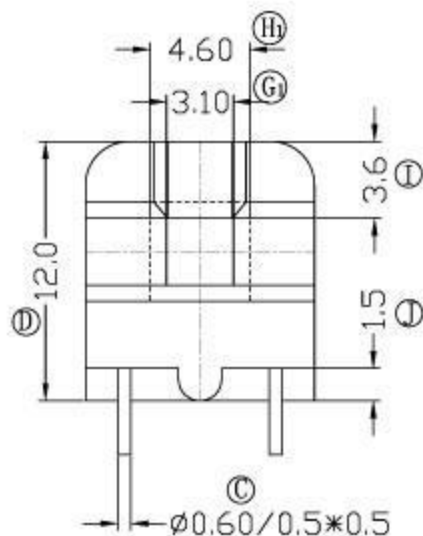
Fusign

 伏赛电子有限公司  
 Fusign Electronics Co., Ltd

型号

UU-901

| REV | REVISIONS REC | DATE |
|-----|---------------|------|
|     |               |      |
|     |               |      |



DRAWNBY

JING LI PENG

TOLERANCE

MODEL NAME:

UU-9.8 叶片无缺口

CHECKER BY

LING RONG WANG

|          |        |
|----------|--------|
| X. X     | ± 0.3  |
| X. XX    | ± 0.2  |
| 壁厚:      | ± 0.15 |
| PINPITCH | ± 0.2  |

BOBBIN MATERIAL:

PHENOLIC

DATE

01-01-2008

SCALE: 4:1

SCALE: UL 94V-0



SCALE: M/M