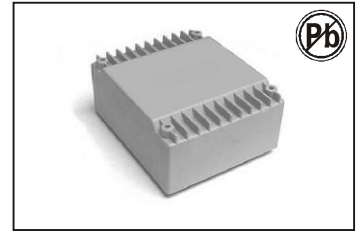


50/60HZ PCB MOUNT TRANSFORMERS – UI RANGE

18W 39 × 13.5–UI 3913 SERIES



FEATURES:

- 115 V–230 V supply voltage by serie/parallel connection
- Vacuum filling
- Two compartments bobbins
- Degree of protection IP 00

OPTIONS:

- Bulk packaging is standard
- Custom design available

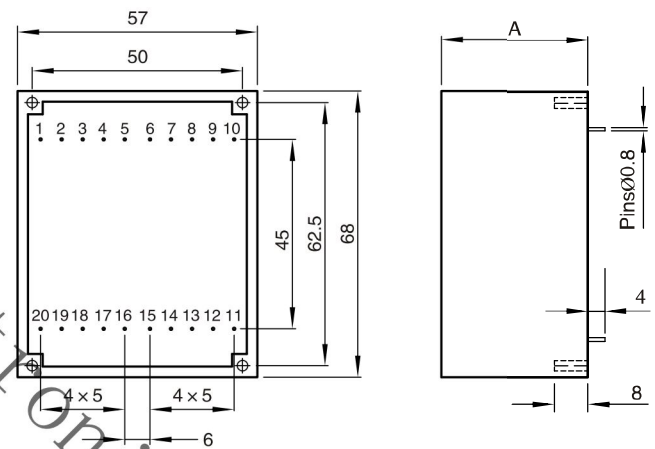
COMMON APPLICATIONS:

- Medical equipments
- Industrial equipments
- Industrial controls
- Test equipment
- Industrial computers
- Avionics & telecom

ELECTRICAL CHARACTERISTICS

| PRIMARY VOLTAGE: 115~230 | | | | |
|--------------------------|---------------------|----------------------|-------------------|------------------------|
| Part Number | Secondary voltage V | Secondary Current mA | No-load voltage V | Ambient Temperature °C |
| UI 391349 | 2 × 6 | 2 × 1500 | 2 × 7.4 | T50B |
| UI 391350 | 2 × 9 | 2 × 1000 | 2 × 11.0 | T50B |
| UI 391351 | 2 × 12 | 2 × 750 | 2 × 14.7 | T50B |
| UI 391352 | 2 × 15 | 2 × 600 | 2 × 18.3 | T50B |
| UI 391353 | 2 × 18 | 2 × 500 | 2 × 22.0 | T50B |
| UI 391354 | 2 × 24 | 2 × 375 | 2 × 29.4 | T50B |

PHYSICAL CHARACTERISTICS



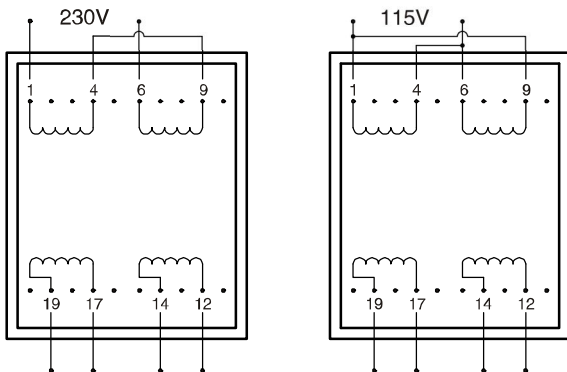
All dimensions in mm

TECHNICAL INFORMATION

- Resin class UL 94 VO
- Fuse protection in secondary winding (see diagram)
- Insulation voltage 4 KV
- 100% tested production
- Conform to EN 61558 Approval under process

| CIRCUIT | RATING | DIMENSION:A | WEIGHT(g) |
|-------------|--------|-------------|-----------|
| UI39 × 8 | 10VA | A=22mm | 285 |
| UI39 × 10.2 | 14VA | A=24mm | 335 |
| UI39 × 13.5 | 18VA | A=27mm | 405 |
| UI39 × 17 | 24VA | A=31mm | 260 |
| UI39 × 21 | 30VA | A=35mm | 550 |

Possible primary connections



Possible secondary connections

