

# ENCAPSULATED LOW PROFILE/VERTICAL TOROIDAL COILS

## AICT-LP/VM, VM SERIES

### FEATURES:

- High saturation material
- Support rapid load change
- Low power losses
- Long term stability
- High reliability
- Low DC resistance

### OPTIONS:

- Packaging: Bulk is standard
- Mounting: (LP/VM) Low Profile and (VM) Vertical Mount is standard

### COMMON APPLICATIONS:

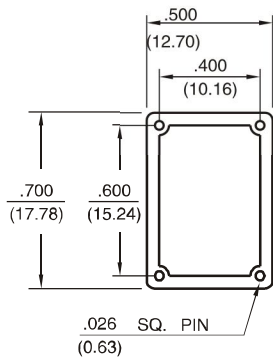
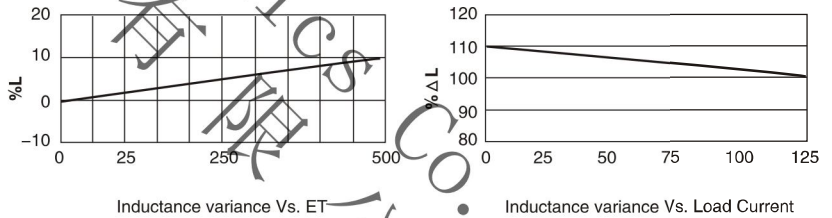
- Switching Regulators
- Automotive Systems
- Power Amplifiers
- Power Supplies
- EMI/RFI suppression
- DC line Filters

### STANDARD SPECIFICATIONS

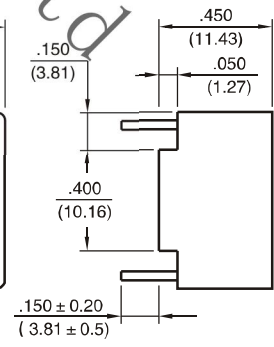
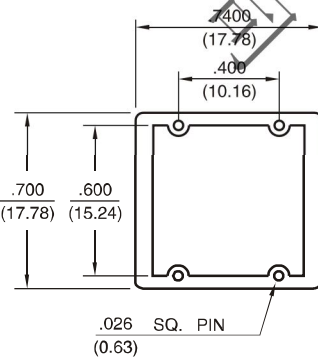
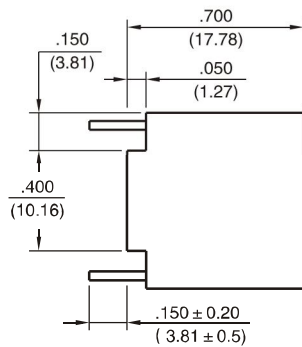
Part Number	L (μH) Typical	IDC Amps Max	Max ETop V-μ secondary	L no DC (μH) Max	1000Hz Test Volts no DC	DCR (Ω) Max	Energy Storage (μj) Min
AICT-LP/VM-151M	150	1.7	80	175	.050	.42	215
AICT-LP/VM-221M	220	1.5	90	225	.070	.42	240
AICT-LP/VM-331M	330	1.0	100	380	.080	.78	165
AICT-LP/VM-471M	470	.90	120	540	.100	1.10	190
AICT-LP/VM-681M	680	.85	175	790	.120	1.25	245
AICT-LP/VM-821M	820	.75	175	950	.130	2.30	230
AICT-LP/VM-102M	1000	.50	175	1150	.140	2.40	125

### TECHNICAL INFORMATION & PHYSICAL CHARACTERISTICS:

- Testing: 10kHz 0,1 Vac HP4284A
  - Inductance: Typical @ IDC values
  - IDC Max: Rated for 40°C temperature rise
  - Derate current at 20°C at ETop
  - Electrical characteristics measured @ 20°C
  - Temperature range: -30°C to +130°C
  - Mounting: Add (LP/VM), (VM) as Suffix to Part Number
- Note: All specifications subject to change without notice.



VERTICAL PACKAGE



LOW PROFILE PACKAGE



Dimensions:  
Inches(mm)  
± .010 (± .25) Except as noted