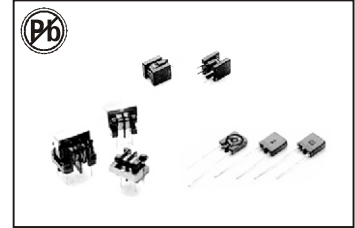


HIGH FREQUENCY EMI FILTERS

AICT SERIES

01,02,03,04



FEATURES:

- High Frequency Design
- Against radiated noise
- High Reliability
- Auto insertion

OPTIONS:

- Tape & Reel is Standard
- Custom design available

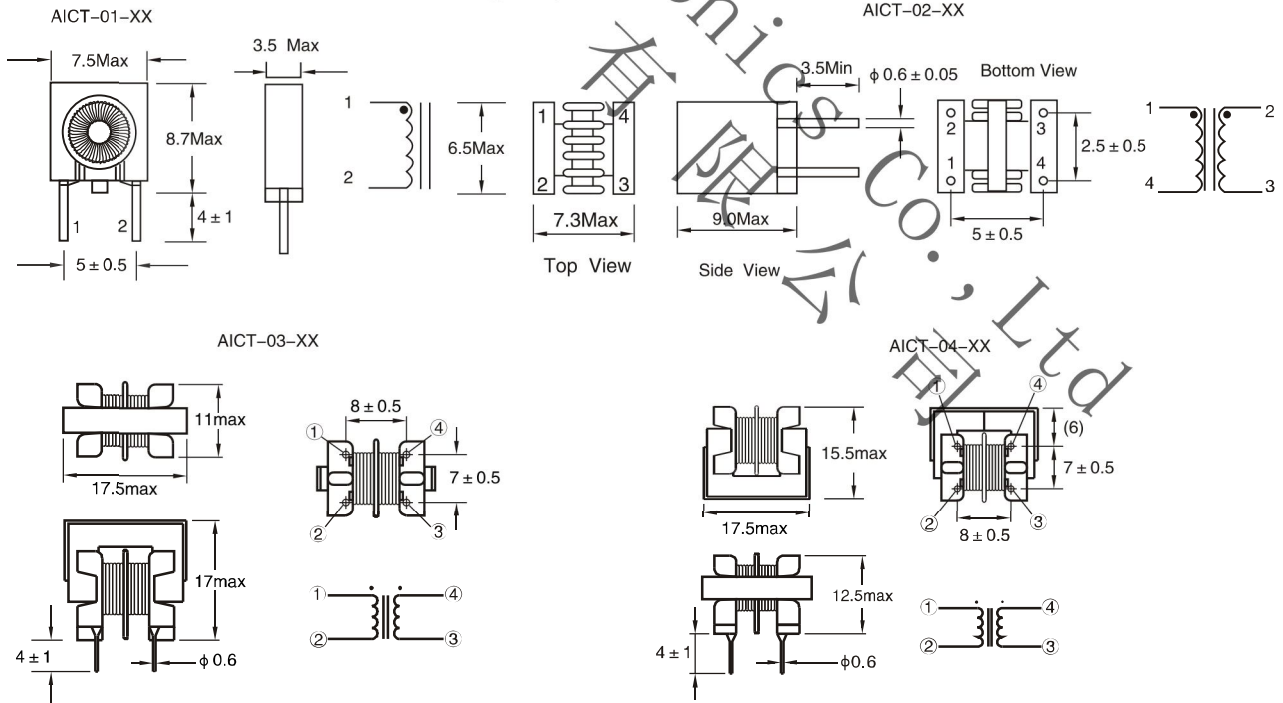
COMMON APPLICATIONS:

- PC, Word processors.
- SMPS and switching AC adaptors
- Against CMC noise at composite Video signal dataline EMI suppression

STANDARD SPECIFICATIONS

Part Number	Inductance 1KHZ, 1V $\mu H \pm 35\%$	Rdc m Ω Max.	Turns Ratio $\pm 0.2\%$	Insulation Resistance 100M Ω min	Part Number	Inductance 1KHZ, 1V μH Min	Rdc Ω Max.	Turns Ratio $\pm 0.2\%$	Hi-Pot Isolation Voltage
AICT-01-100M	10	20	-	500VDC	AICT-03-102M	1000	0.9	1:1	2500V
AICT-01-300M	30	30	-	500VDC	AICT-03-332M	3300	1.2	1:1	2500V
AICT-01-500M	50	30	-	500VDC	AICT-03-702M	7000	2.5	1:1	2500V
AICT-01-700M	70	30	-	500VDC	AICT-03-333M	33000	13.5	1:1	2500V
AICT-02-100M	10	50	1:1	500VDC	AICT-04-222M	2200	1.0	1:1	2500V
AICT-02-300M	30	50	1:1	500VDC	AICT-04-502M	5000	1.6	1:1	2500V
AICT-02-500M	50	60	1:1	500VDC	AICT-04-143M	14000	5.5	1:1	2500V
AICT-02-800M	80	60	1:1	500VDC	AICT-04-433M	43000	14.5	1:1	2500V

TECHNICAL INFORMATION & PHYSICAL CHARACTERISTICS:



All dimensions are in mm

- Max operating voltage: 250V at 40°C
 - IDC Max: rating AC/DC current A @40°C
 - Hi-Pot 2500Vac winding to winding 3S.
 - Inductance Testing: 10KHz 0.1V HP4284A
 - RDC: QuadTech 1880 Milliohm meter
 - Surge current Max 10ms: 20X IDC
 - Soldering methods: Wave, Reflow
 - Operating Temperature: 0°C to 85°C
 - Storage Temperature: -25°C to 85°C
- Note: All specifications subject to change without notice.