

VERTICAL/HORIZONTAL /BASE MOUNT TOROIDAL COILS

AIGT-20 SERIES

FEATURES:

- High saturation material
- Wide inductance range
- High current capability
- Long term stability
- High reliability
- Low DC resistance

OPTIONS:

- Packaging: Bulk is standard
- Mounting: (V)ertical and (H)orizontal is standard
- Inductance: Optional values available

COMMON APPLICATIONS:

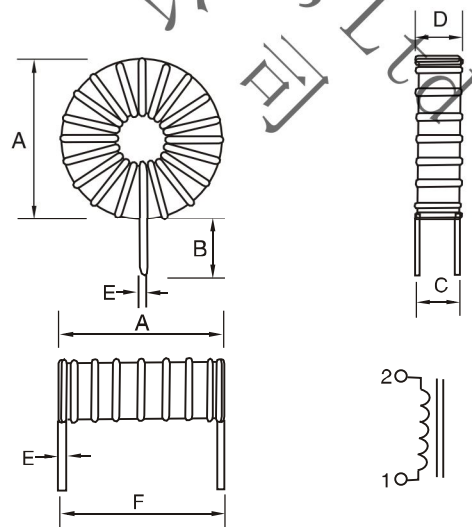
- Switching Regulators
- Automotive Systems
- Power Amplifiers
- Power Supplies
- SCR and Triac Controls
- Speaker Crossover Networks
- EMI/RFI suppression
- Filters

ELECTRICAL CHARACTERISTICS:

Part Number	μH	IDC Max A	RDC Ω Max	A Max	B Typical	C Ref	D Typical	E Typical	F Typical
AIGT-20-200M-1(A)	20	1.0	.062	.350	.500	.220	.250	.013	.325
AIGT-20-200M-2(A)	20	2.0	.029	.500	.500	.240	.300	.020	.460
AIGT-20-200M-5(A)	20	5.0	.020	.940	.500	.570	.640	.032	.876
AIGT-20-500M-1(A)	50	1.0	.061	.600	.500	.300	.340	.020	.560
AIGT-20-500M-2(A)	50	2.0	.025	.850	.500	.450	.500	.032	.786
AIGT-20-500M-5(A)	50	5.0	.021	1.250	.500	.675	.750	.040	1.210
AIGT-20-500M-7(A)	50	7.0	.013	1.500	.500	.575	.650	.051	1.398
AIGT-20-500M-10(A)	50	10.0	.016	1.800	.500	.700	.775	.051	1.698
AIGT-20-101M-1(A)	100	1.0	.085	.620	.500	.425	.475	.020	.580
AIGT-20-101M-2(A)	100	2.0	.040	.950	.500	.600	.640	.032	.886
AIGT-20-101M-5(A)	100	5.0	.028	1.500	.500	.575	.629	.040	1.420
AIGT-20-151M-5(A)	150	5.0	.042	1.750	.500	.680	.750	.040	1.670
AIGT-20-251M-1(A)	250	1.0	.168	.800	.500	.450	.475	.018	.764
AIGT-20-251M-2(A)	250	2.0	.070	1.250	.500	.675	.725	.032	1.186
AIGT-20-501M-1(A)	500	1.0	.276	.925	.500	.570	.600	.018	.889
AIGT-20-501M-2(A)	500	2.0	.147	1.450	.500	.550	.575	.025	1.400

TECHNICAL INFORMATION & PHYSICAL CHARACTERISTICS:

- Testing: (Equivalent acceptable)
Inductance: Measured at 1kHz 0.1V HP4284A
RDC: QuadTech 1880 Milliohm meter
 - IDC Max: Losers inductance by 10%
Temperature range: -55°C to +125°C
-55°C to +85°C at full rated current
 - Mounting: Add (V), (H) as Suffix to Part Number
- Note: All specifications subject to change without notice.



Dimensions: Inches