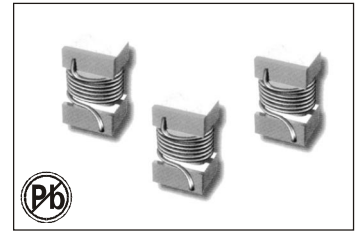


# SURFACE-MOUNT WIRE-WOUND CERAMIC CHIP INDUCTORS

## AISC-0402 SERIES



### FEATURES:

- Ceramic Core
- High frequency design
- Excellent Q values
- Excellent SRF
- High reliability
- Excellent thermal stability

### OPTIONS:

- Packaging: Tape & Reel is standard (Qty: 4000pcs)  
Bulk packaging available for smaller quantities
- Tolerance: 10% and 5% is standard, tighter tolerances available

### COMMON APPLICATIONS:

- Modems
- Mobile Radios
- Cordless Telephones
- Global Positioning Systems
- Telecommunications Systems

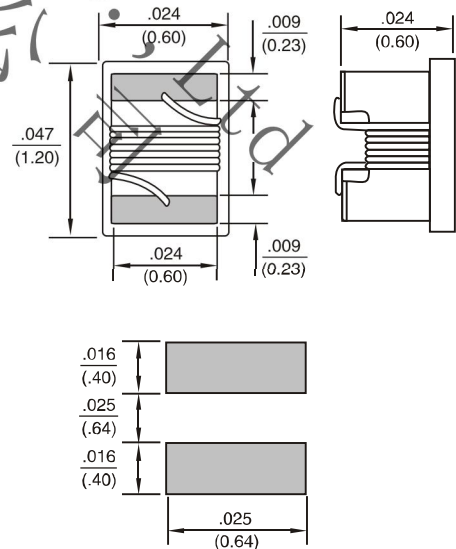
### ELECTRICAL CHARACTERISTICS:

Part Number	L ( $\mu$ H)	Tol %	Q Min	Test Freq MHz	SRF MHz Min	DCR $\Omega$ Max	IDC Max mA
AISC-0402-0010K	.0010	$\pm 10$	16	250	>6000	0.045	1360
AISC-0402-0020K	.0020	$\pm 10$	16	250	>6000	0.070	1040
AISC-0402-0022K	.0022	$\pm 10$	19	250	>6000	0.070	960
AISC-0402-0033K	.0033	$\pm 10$	19	250	6000	0.066	840
AISC-0402-0036K	.0036	$\pm 10$	19	250	6000	0.066	840
AISC-0402-0039K	.0039	$\pm 10$	19	250	5800	0.066	840
AISC-0402-0051K	.0051	$\pm 10$	20	250	5800	0.083	800
AISC-0402-0056K	.0056	$\pm 10$	20	250	5800	0.083	760
AISC-0402-0062K	.0062	$\pm 10$	20	250	5800	0.083	760
AISC-0402-0075K	.0075	$\pm 10$	22	250	5800	0.104	680
AISC-0402-0082K	.0082	$\pm 10$	22	250	4400	0.104	680
AISC-0402-0090K	.0090	$\pm 10$	22	250	4160	0.104	680
AISC-0402-011K	.011	$\pm 10$	24	250	3860	0.120	640
AISC-0402-012J	.012	$\pm 5$	24	250	3600	0.120	640
AISC-0402-015J	0.15	$\pm 5$	24	250	3280	0.172	560
AISC-0402-019J	0.19	$\pm 5$	24	250	3040	0.202	480
AISC-0402-023J	0.23	$\pm 5$	24	250	2720	0.214	400
AISC-0402-027J	0.27	$\pm 5$	24	250	2480	0.298	400
AISC-0402-036J	0.36	$\pm 5$	24	250	2320	0.403	320
AISC-0402-040J	0.40	$\pm 5$	24	250	2240	0.438	320

### TECHNICAL INFORMATION:

- Testing: (Equivalent acceptable)  
Inductance: HP4191A  
Q: HP4291A  
SRF: HP8753B  
RDC: measured @ 25°C
- Operating Temperature:  
Ceramic: -55°C to +125°C
- Pad metalization: Tungsten-nickel with gold flash
- Solder methods: Wave, Reflow, Vapor Phase
- Solderability: Max 260°C for 10 seconds
- Marking: EIA color code

### PHYSICAL CHARACTERISTICS:



Note: 1. K=  $\pm 10\%$ , M=  $\pm 20\%$ , N=  $\pm 30\%$

Dimensions: Inches (mm)