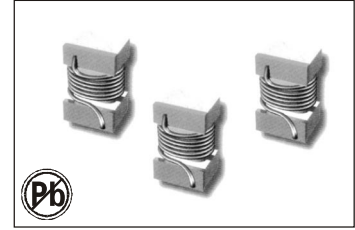


# SURFACE-MOUNT WIRE-WOUND CERAMIC CHIP INDUCTORS

## AISC-0805 SERIES



### FEATURES:

- Ceramic Core
- 0805F: Specify Ferrite
- High frequency design
- Excellent Q values
- Excellent SRF
- High reliability
- Excellent thermal stability

### OPTIONS:

- Packaging: Tape & Reel is standard (Qty:3000pcs)
- Bulk packaging available for smaller quantities
- Tolerance: 10% and 5% is standard, tighter tolerances available

### COMMON APPLICATIONS:

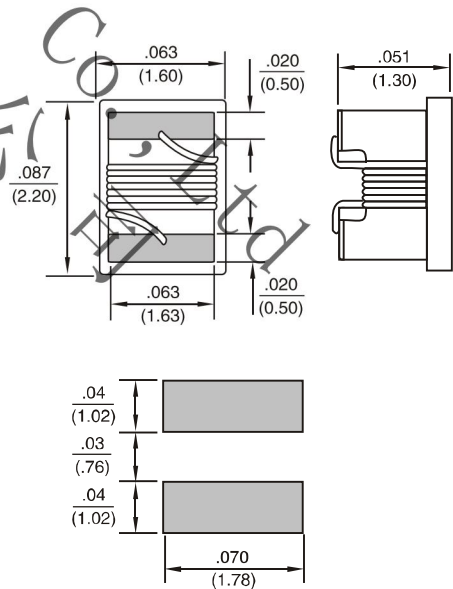
- Modems
- Mobile Radios
- Cordless Telephones
- Global Positioning Systems
- Telecommunications Systems

## ELECTRICAL CHARACTERISTICS: TECHNICAL INFORMATION:

| Part Number     | L (μH) | Tol % | Q Min | Test Freq MHz | SRF MHz Min | DCR Ω Max | IDC Max mA |
|-----------------|--------|-------|-------|---------------|-------------|-----------|------------|
| AISC-0805-0022K | .0022  | ± 10  | 50    | 1500          | 8500        | 0.030     | 800        |
| AISC-0805-0027K | .0027  | ± 10  | 50    | 1500          | 8000        | 0.045     | 800        |
| AISC-0805-0033K | .0033  | ± 10  | 50    | 1500          | 7900        | 0.090     | 600        |
| AISC-0805-0056K | .0056  | ± 10  | 66    | 1000          | 5500        | 0.065     | 600        |
| AISC-0805-0068K | .0068  | ± 10  | 50    | 1000          | 5500        | 0.110     | 600        |
| AISC-0805-0082J | .0082  | ± 5   | 50    | 1000          | 4700        | 0.120     | 600        |
| AISC-0805-010J  | 0.010  | ± 5   | 60    | 500           | 4200        | 0.150     | 600        |
| AISC-0805-012J  | 0.012  | ± 5   | 50    | 500           | 4000        | 0.150     | 600        |
| AISC-0805-015J  | 0.015  | ± 5   | 50    | 500           | 3400        | 0.170     | 600        |
| AISC-0805-018J  | 0.018  | ± 5   | 50    | 500           | 3300        | 0.200     | 600        |
| AISC-0805-022J  | 0.022  | ± 5   | 55    | 500           | 2600        | 0.220     | 500        |
| AISC-0805-027J  | 0.027  | ± 5   | 55    | 500           | 2500        | 0.250     | 500        |
| AISC-0805-033J  | 0.033  | ± 5   | 60    | 500           | 2050        | 0.270     | 500        |
| AISC-0805-039J  | 0.039  | ± 5   | 60    | 500           | 2000        | 0.290     | 500        |
| AISC-0805-047J  | 0.047  | ± 5   | 60    | 500           | 1650        | 0.310     | 500        |
| AISC-0805-056J  | 0.056  | ± 5   | 60    | 500           | 1550        | 0.340     | 500        |
| AISC-0805-062J  | 0.062  | ± 5   | 60    | 500           | 1500        | 0.380     | 500        |
| AISC-0805-068J  | 0.068  | ± 5   | 60    | 500           | 1450        | 0.380     | 500        |
| AISC-0805-082J  | 0.082  | ± 5   | 65    | 500           | 1300        | 0.420     | 400        |
| AISC-0805-R10J  | 0.100  | ± 5   | 65    | 500           | 1200        | 0.460     | 400        |
| AISC-0805-R12J  | 0.120  | ± 5   | 50    | 250           | 1100        | 0.510     | 400        |
| AISC-0805-R15J  | 0.150  | ± 5   | 50    | 250           | 920         | 0.560     | 400        |
| AISC-0805-R18J  | 0.180  | ± 5   | 50    | 250           | 870         | 0.640     | 400        |
| AISC-0805-R20J  | 0.200  | ± 5   | 50    | 250           | 850         | 1.000     | 400        |
| AISC-0805-R22J  | 0.220  | ± 5   | 50    | 250           | 850         | 1.050     | 400        |
| AISC-0805-R27J  | 0.270  | ± 5   | 48    | 250           | 650         | 1.100     | 350        |
| AISC-0805-R33J  | 0.330  | ± 5   | 48    | 250           | 600         | 1.400     | 310        |
| AISC-0805-039K  | 0.390  | ± 10  | 48    | 250           | 560         | 1.500     | 290        |
| AISC-0805-R47K  | 0.470  | ± 10  | 33    | 100           | 375         | 1.760     | 250        |
| AISC-0805-R56K  | 0.560  | ± 10  | 23    | 50            | 340         | 1.900     | 230        |
| AISC-0805-062K  | 0.620  | ± 10  | 23    | 50            | 320         | 2.080     | 200        |
| AISC-0805-R68K  | 0.680  | ± 10  | 23    | 50            | 300         | 2.100     | 190        |
| AISC-0805-075K  | 0.750  | ± 10  | 23    | 50            | 280         | 2.120     | 180        |
| AISC-0805-082K  | 0.820  | ± 10  | 23    | 50            | 250         | 2.140     | 180        |
| AISC-0805-091K  | 0.910  | ± 10  | 23    | 50            | 220         | 2.280     | 180        |
| AISC-0805-1R0K  | 1.000  | ± 10  | 23    | 50            | 200         | 2.400     | 170        |
| AISC-0805-1R2K  | 1.200  | ± 10  | 22    | 50            | 180         | 2.550     | 170        |
| AISC-0805-1R5K  | 1.500  | ± 10  | 21    | 50            | 170         | 2.800     | 160        |
| AISC-0805-1R8K  | 1.800  | ± 10  | 21    | 50            | 160         | 3.200     | 150        |
| AISC-0805-2R2K  | 2.200  | ± 10  | 21    | 50            | 150         | 3.800     | 150        |
| AISC-0805F-1R2J | 1.200  | 65    | 23    | 7.96          | 350         | 1.05      | 600        |
| AISC-0805F-1R5J | 1.500  | 65    | 23    | 7.96          | 300         | 1.20      | 580        |
| AISC-0805F-1R8J | 1.800  | 65    | 23    | 7.96          | 260         | 1.35      | 550        |
| AISC-0805F-2R2J | 2.200  | 65    | 20    | 7.96          | 210         | 1.50      | 510        |
| AISC-0805F-2R7J | 2.700  | 65    | 20    | 7.96          | 160         | 1.70      | 460        |
| AISC-0805F-3R3J | 3.300  | 65    | 20    | 7.96          | 130         | 1.80      | 430        |
| AISC-0805F-3R9J | 3.900  | 65    | 20    | 7.96          | 115         | 1.95      | 400        |
| AISC-0805F-4R7J | 4.700  | 65    | 20    | 7.96          | 105         | 2.05      | 370        |
| AISC-0805F-5R6J | 5.600  | 65    | 20    | 7.96          | 90          | 2.30      | 360        |
| AISC-0805F-6R8J | 6.800  | 65    | 20    | 7.96          | 85          | 2.60      | 330        |

- Testing: (Equivalent acceptable)  
Inductance: HP4191A  
Q: HP4291A  
SRF: HP8753B  
RDC: measured @ 25°C
- Operating Temperature:  
Ceramic: -55°C to +125°C
- Pad metalization: Tungsten-nickel with gold flash
- Solder methods: Wave, Reflow, Vapor Phase
- Solderability: Max 260°C for 10 seconds
- Marking: EIA color code

### PHYSICAL CHARACTERISTICS:



Dimensions: Inches (mm)