

THROUGH-HOLE COMMON MODE CHOKES

ET&UT SERIES

FEATURES:

- 0.3A to 10A ratings, low temperature rise
- 0.7mH to 100mH dual chokes
- Excellent Mechanical Strength
- 100KHz to 3MHz common mode resonance
- High Reliability and variant PCB-mount housing
- Low resistance and temperature rise

OPTIONS:

- Bulk packaging is standard
- Custom design available

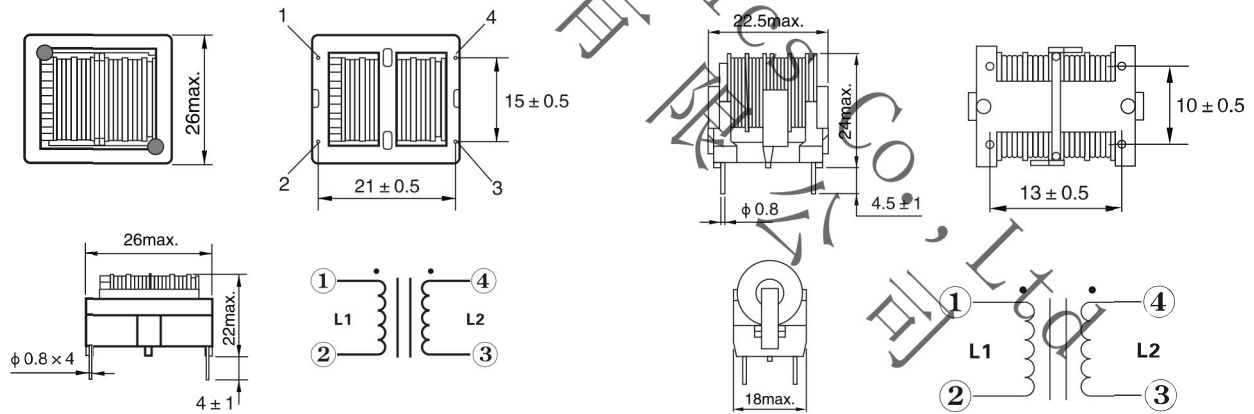
COMMON APPLICATIONS:

- DC/DC, AC/DC line noise suppression
- Communication System
- Automotive Systems
- LCD/PDPTelevisions
- Computer Peripheral Equipment
- It accord with the standards of FCC VCCI CISPR FTZ, etc, eliminating of electromagnetic noise of power and signal circuit.

ELECTRICAL CHARACTERISTICS:

Part Number	Nominal inductance (mH) Min.	Leakage Inductance (μH) Max.	D.C.R (Ω) Max.	Rated current I(A) Max	Part Number	Nominal Inductance (mH) Min.	Leakage Inductance (μH) Max.	D.C.R (Ω) Max.	Rated current I(A) Max
ET2422H-683Y0R4	68	790	2.3	0.4	UT2024-123Y0R8	12	200	0.92	0.8
ET2422H-453Y0R5	45	600	1.65	0.5	UT2024-622Y1R0	6.2	150	0.50	1.0
ET2422H-333Y0R6	33	500	1.2	0.6	UT2024-242Y1R7	2.4	80	0.18	1.7
ET2422H-253Y0R8	25	400	0.88	0.8	UT2024-601Y3R0	0.6	40	0.06	3.0
ET2422H-203Y1R0	20	350	0.64	1.0					
ET2422H-103Y1R2	10	250	0.38	1.2					
ET2422H-452Y1R5	4.5	150	0.19	1.5					
ET2422H-392Y1R8	3.9	150	0.15	1.8					
ET2422H-332Y2R0	3.3	100	0.11	2.0					
ET2422H-242Y2R5	2.4	95	0.09	2.5					

PHYSICAL CHARACTERISTICS:



Weight: 19.5g typ
Recommended hole diameter: ϕ 1.2~1.3
Dimensions in mm

• Weight: 10g typ
• Recommended hole Diameter: ϕ 1.2~1.3
• Dimensions in mm

TECHNICAL INFORMATION:

- Max operating voltage: 250V at 40°C
 - IDC Max: rating AC/DC current A @ 40°C
 - Hi-Pot 2500V AC winding to winding 3S.
 - Insulation resistance 100MΩ Min DC 500V
 - Temperature Rise Max: 40°C
 - Inductance Testing: 10KHz 0.1V HP4284A
 - RDC: QuadTech 1880 Milliohmmeter
 - Surge current Max 10ms: 20X IDC
 - Operating temperature: -40°C to +105°C
 - Storage Temperature: -40°C to +105°C
 - Resistance to soldering heat: 260°C for 10 seconds
 - Marking: Part number and date code
- Note: All specifications subject to change without notice.