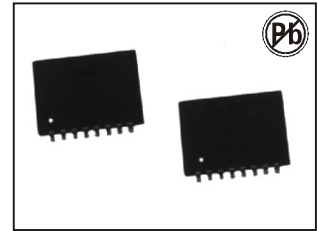


HOME PHONE NETWORKING MAGNETIC MODULES

HPN-101



FEATURES:

- Bandpass filter
- Isolation and EMI Filtering

OPTIONS:

- Tape & Reel is Standard
- Bulk upon request

COMMON APPLICATIONS:

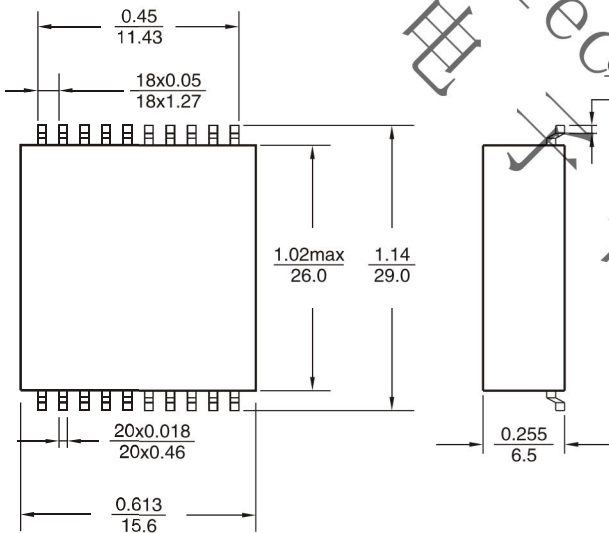
- Home Phone Networking

STANDARD SPECIFICATIONS

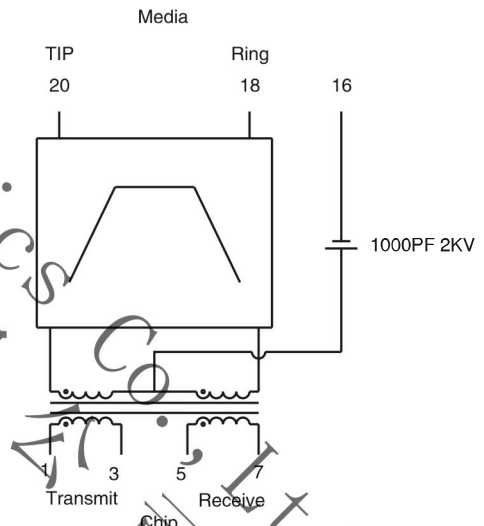
| Part No. | Cut-off Frequency | | Insertion Loss 4.25MHz-9.75MHz | | Return Loss MHz | Allenuation | | | CMR | Turns Ratio | |
|----------|-------------------|-------------|-----------------------------------|----------|---------------------------|----------------------|---------------|--------------------------|---------------|---------------|-----|
| | Lower Band | Higher Band | (db) Min | (db) Max | (db) Min 6.0MHz-9.0MHz | (db) 1.1MHz-22MHz | (db) 54MHz | (db) Min 200KHz-22MHz | 20-18 :1-3 | 20-18 :5-7 | |
| HPN-101 | 3.5MHz | 11.5MHz | 1.0 | 2.2 | 12 | 60 | 35 | 40 | 40 | 1:0.667 | 1:2 |

Hipot: 1500VRMS 1-3 TO 18-20, 5-7, 6, 18-20

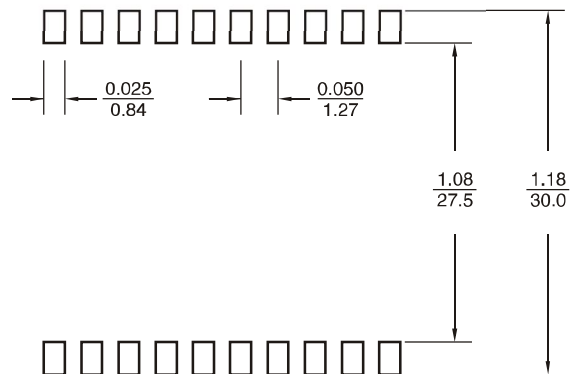
Dimmension: Inch/mm



SCHEMATIC:



Recommended Pad Layout



TECHNICAL INFORMATION:

- Soldering methods: Wave, Reflow
- Operating Temperature: 0°C to 70°C
- Storage Temperature: -55°C to 125°C

Note: All specifications subject to change without notice.