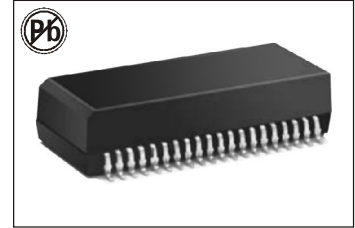


10/100 BASE-TX MAGNETICS MODULES

HS1164



FEATURES:

- Compliant with IEE 802.3u and ANSI X.3.263 Standards including 350uH OCL with 8mA bias
- Cable interface for isolation and low common mode emissions

OPTIONS:

- Tape & Reel is Standard
- Bulk upon request

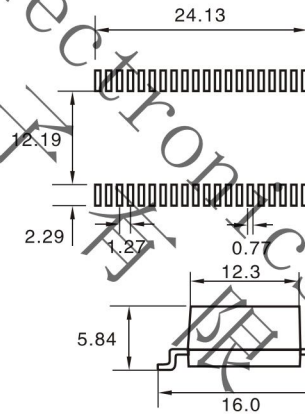
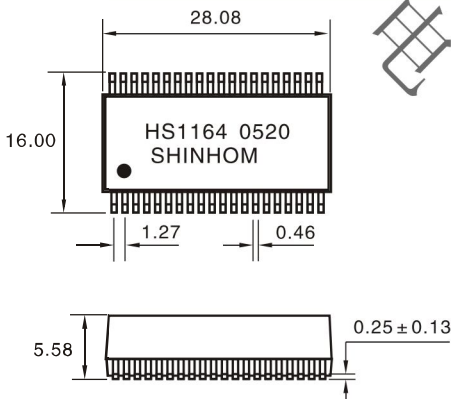
COMMON APPLICATIONS:

- Symmetric TX and RX channels for auto MDI/MDIX capability.
- Approved for use with Broadcom BCM5226/BCM5228 and Level One LXT9784
- Multiport Repeater & Ethernet Switching HUB

ELECTRICAL SPECIFICATION @25°C-Operating Temperature 0°C to 70°C

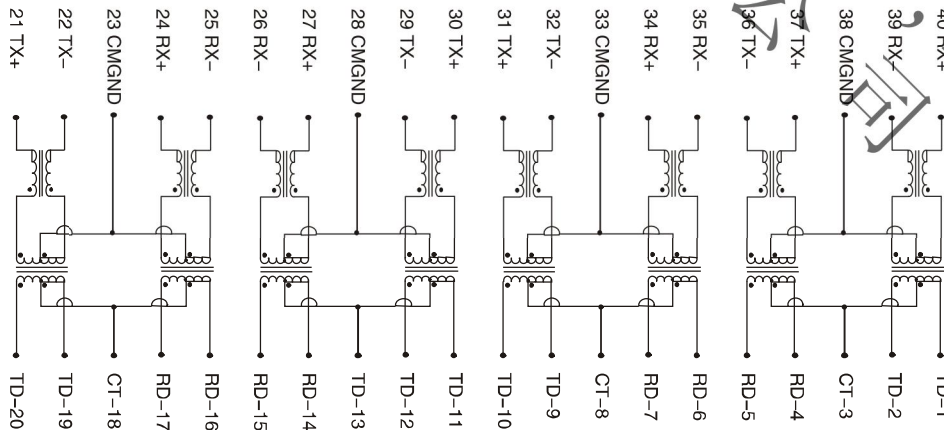
Part number	Turns Ratio (± 2%)	Insertion Loss (Max)	Return Loss (dB Min)					Crosstalk (dB Min)				Differential to Common Mode Rejection(dB Min)		Hipot (Vrms Min)
			0.1-100MHz	2-30MHz	40MHz	50MHz	60-80MHz	1kHz	30MHz	60MHz	100MHz	1-60MHz	60-200MHz	
HS1164	1CT:1CT	-1.0	-18	-14.4	-13.1	-12	-55	-45	-40	-33	-37	-25	1500	

TECHNICAL INFORMATION & PHYSICAL CHARACTERISTICS:



DIMENSIONS:mm

Unless otherwise specified all tolerances are 60.25



- OCL:350 μH Min 8mA DC bias (line side)
- Hi-Pot:1500 VRMS Min
- Soldering methods:Wave,Reflow
- Operating Temperature:0°C to 70°C
- Storage Temperature:-25°C to 85°C

Note: All specifications subject to change without notice.