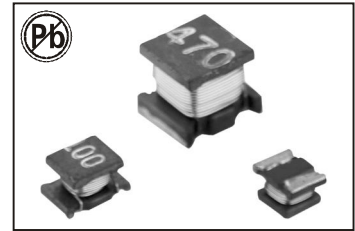


HIGH CURRENT SURFACE-MOUNT WIRE-WOUND INDUCTORS

LQH1206 SERIES



FEATURES:

- Ferrite Core
- High Frequency Design
- Lower DCR permits High Idc
- Available in E12 series
- Excellent Q SRF Values
- Lead free versions
- RoHS compliant
- Excellent Thermal Stability

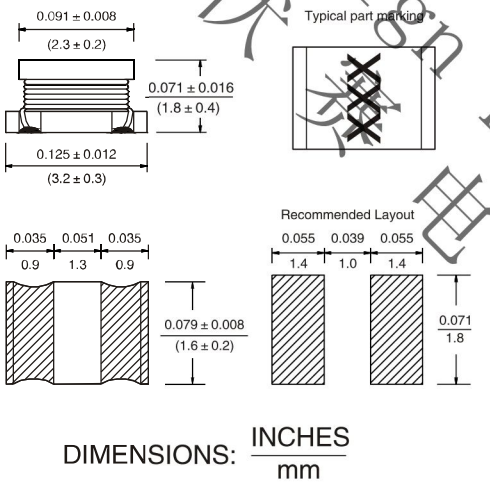
OPTIONS:

- Tape & Reel is Standard (Qty:2000pcs.)
- Bulk packaging Available for Smaller Quantities
- Tolerance:K=10%,M=20% is Standard, Tighter Tolerances Available

COMMON APPLICATIONS:

- Modems PDP, LCD TVs convertor
- Mobile Radios DC/DC convertor
- Cordless Telephones Car radios
- Global Positioning Systems
- Wireless Communications Equipment
- Networking System,xDSL Filter
- Computer Products and Peripherals

PHYSICAL CHARACTERISTICS



STANDARD SPECIFICATION

| Part Number (LQH 1206 Series) | L (μH) | L Test Freq (KHz) | Q (Min) | Q Test Freq (MHz) | SRF (MHz) | DCR (Ω Max) | IDC (mA Max) |
|-------------------------------|--------|-------------------|---------|-------------------|-----------|-------------|--------------|
| LQH-1206-1R0M | 1.0 | 1 | 35 | 1 | 100 | 0.49 | 175 |
| LQH-1206-1R2M | 1.2 | 1 | 35 | 1 | 90 | 0.90 | 165 |
| LQH-1206-1R5M | 1.5 | 1 | 35 | 1 | 75 | 1.00 | 155 |
| LQH-1206-1R8M | 1.8 | 1 | 35 | 1 | 60 | 1.60 | 150 |
| LQH-1206-2R2M | 2.2 | 1 | 35 | 1 | 50 | 0.70 | 140 |
| LQH-1206-2R7M | 2.7 | 1 | 35 | 1 | 43 | 0.55 | 135 |
| LQH-1206-3R3M | 3.3 | 1 | 35 | 1 | 38 | 0.61 | 130 |
| LQH-1206-3R9M | 3.9 | 1 | 35 | 1 | 35 | 1.50 | 125 |
| LQH-1206-4R7K | 4.7 | 1 | 35 | 1 | 31 | 1.70 | 120 |
| LQH-1206-5R6K | 5.6 | 1 | 35 | 1 | 28 | 1.80 | 115 |
| LQH-1206-6R8K | 6.8 | 1 | 35 | 1 | 25 | 2.00 | 110 |
| LQH-1206-8R2K | 8.2 | 1 | 35 | 1 | 23 | 2.20 | 105 |
| LQH-1206-10K | 10 | 1 | 35 | 1 | 20 | 2.50 | 100 |
| LQH-1206-12K | 12 | 1 | 35 | 1 | 18 | 2.70 | 95 |
| LQH-1206-15K | 15 | 1 | 35 | 1 | 16 | 3.00 | 90 |
| LQH-1206-18K | 18 | 1 | 35 | 1 | 15 | 3.40 | 85 |
| LQH-1206-22K | 22 | 1 | 40 | 1 | 14 | 3.10 | 85 |
| LQH-1206-27K | 27 | 1 | 40 | 1 | 13 | 3.40 | 85 |
| LQH-1206-33K | 33 | 1 | 40 | 1 | 12 | 3.80 | 80 |
| LQH-1206-39K | 39 | 1 | 40 | 1 | 11 | 7.20 | 85 |
| LQH-1206-47K | 47 | 1 | 40 | 1 | 10 | 8.00 | 85 |
| LQH-1206-56K | 56 | 1 | 40 | 1 | 9.0 | 8.90 | 50 |
| LQH-1206-68K | 68 | 1 | 40 | 1 | 8.5 | 9.90 | 50 |
| LQH-1206-82K | 82 | 1 | 40 | 1 | 7.5 | 11.00 | 45 |
| LQH-1206-101K | 100 | 1 | 40 | 1 | 7.0 | 12.00 | 45 |

ELECTRONICAL SCHEMATIC



TECHNICAL INFORMATION

- Inductance Testing: HP4291A,HP16193A,HP4286A or equivalent
- RDC:QuadTech 1880 Milliohmeter
- Q- HP4342A
- SRF-HP4191A
- Rated Current L value drop10%typ.at IDCagainst its initial value
- Temperature rise 40°C Max Reference ambient temperature
- Solderability: 75% of the terminal electrode shall be covered
- Soldering Methods: Wave,Reflow
- Operating Temperature:-25°C to +85°C
- Storage Temperature: -55°C to +125°C

Note: All specifications subject to change without notice.

Note:1. K= ± 10%,M= ± 20%

LQH1206-100M

Model _____

Value/Tolerance:from table _____

Termination _____

L=Ag/Ni/Sn
Blank=Ag/Ni/Sn/Pb