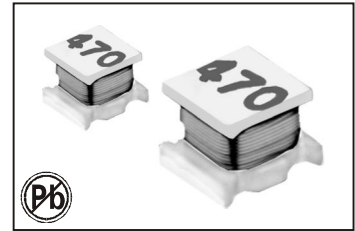


HIGH CURRENT SURFACE-MOUNT CERAMIC WIRE-WOUND INDUCTORS

LQH1812C SERIES



FEATURES:

- Ceramic Core
- High Frequency Design
- Lower DCR permits High I_{dc}
- Available in E12 series
- Excellent Q SRF Values
- Lead free versions
- RoHS compliant
- Excellent Thermal Stability

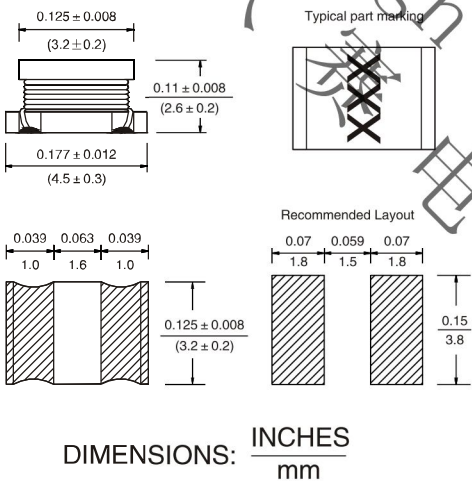
OPTIONS:

- Tape & Reel is Standard (Qty:500pcs.)
- Bulk packaging Available for Smaller Quantities
- Tolerance:K=10%,M=20% is Standard, Tighter Tolerances Available

COMMON APPLICATIONS:

- Modems PDP, LCD TVs convertor
- Mobile Radios DC/DC convertor
- Cordless Telephones Car radios
- Global Positioning Systems
- Wireless Communications Equipment
- Networking System,xDSL Filter
- Computer Products and Peripherals

PHYSICAL CHARACTERISTICS



STANDARD SPECIFICATION

Part Number (LQH 1812C Series)	L (μH)	L Test Freq (KHz)	Q (Min)	Q Test Freq (MHz)	SRF (MHz)	DCR (Ω Max)	IDC (mA Max)
LQH-1812C-1R0M	1.0	1	10	1	100	0.08	1080
LQH-1812C-1R5M	1.5	1	10	1	85	0.09	1000
LQH-1812C-2R2M	2.2	1	10	1	60	0.11	900
LQH-1812C-3R3M	3.3	1	10	1	47	0.13	800
LQH-1812C-4R7M	4.7	1	10	1	35	0.15	750
LQH-1812C-6R8M	6.8	1	10	1	30	0.20	720
LQH-1812C-100K	10.0	1	20	1	23	0.24	650
LQH-1812C-150K	15.0	1	20	1	20	0.32	570
LQH-1812C-220K	22.0	1	20	1	15	0.60	420
LQH-1812C-330K	33.0	1	20	1	12	1.00	310
LQH-1812C-470K	47.0	1	20	1	10	1.10	280
LQH-1812C-680K	68.0	1	20	1	8.4	1.70	220
LQH-1812C-101K	100	1	20	0.796	6.8	2.20	190
LQH-1812C-151K	150	1	30	0.796	5.5	3.50	130
LQH-1812C-221K	220	1	30	0.796	4.5	4.00	110
LQH-1812C-331K	330	1	30	0.796	3.6	6.80	100
LQH-1812C-471K	470	1	30	0.796	3.0	8.50	90

Note: 1. K= ± 10%, M= ± 20%

ELECTRONICAL SCHEMATIC



TECHNICAL INFORMATION

- Inductance Testing: HP4291A, HP16193A, HP4286A or equivalent
- RDC: QuadTech 1880 Milliohmeter
- Q- HP4342A
- SRF- HP4191A
- Rated Current L value drop 10% typ. at IDC against its initial value
- Temperature rise 40°C Max Reference ambient temperature
- Solderability: 75% of the terminal electrode shall be covered
- Soldering Methods: Wave, Reflow
- Operating Temperature: -25°C to +85°C
- Storage Temperature: -55°C to +125°C

Note: All specifications subject to change without notice.

LQH1812C-100M

Model _____

Value/Tolerance: from table _____

Termination _____

L=Ag/Ni/Sn
Blank=Ag/Ni/Sn/Pb