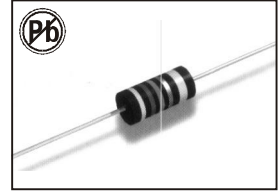


THROUGH-HOLE AXIAL CONFORMAL MOLDED INDUCTORS

LTM 0410 SERIES



FEATURES:

- Ferrite Core
- Wire-wound construction
- Heat resistant epoxy molded resin
- High reliability, Ideal for automatic insertion
- Small size , Low Cost

OPTIONS:

- Packaging: Tape & Reel is Standard (Qty: 1000 pcs)
- Bulk packaging available for smaller quantities
- Tolerance: 10% is standard, tighter tolerances available.

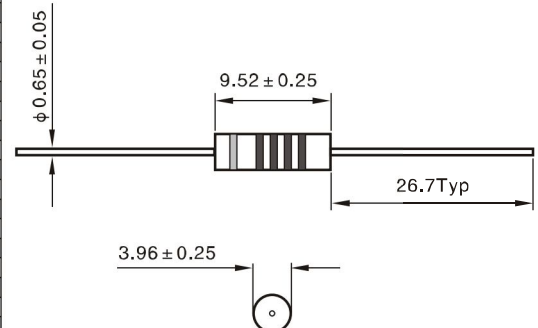
COMMON APPLICATIONS:

- VCRs, PDP, LCD, TV set
- Automotive Systems
- Computer Peripheral Equipment
- GPS, DC/DC convertor, XDSL Modem
- Electronic Games
- Mobile Communications Equipment
- General Electronic Applications

STANDARD SPECIFICATIONS

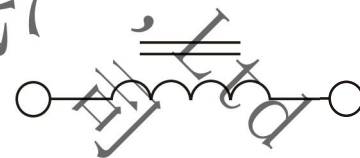
Part Number	L (μH)	L Test Freq (MHz)	Q (Min)	Qtest Freq (MHz)	SRF (MHz)	DCR (Ω Max)	IDC (mA Max)
LTM0410-R10K	0.10	25	50	25	525	0.03	2740
LTM0410-R15M	0.15	25	50	25	525	0.03	2740
LTM0410-R22M	0.22	25	50	25	450	0.055	2020
LTM0410-R33M	0.33	25	45	25	360	0.09	1580
LTM0410-R39M	0.39	25	45	25	330	0.11	1420
LTM0410-R47M	0.47	25	45	25	310	0.12	1370
LTM0410-R56M	0.56	25	50	25	280	0.14	1290
LTM0410-R68M	0.68	25	50	25	250	0.15	1220
LTM0410-R82M	0.82	25	50	25	220	0.22	1020
LTM0410-R10K	1.00	25	50	25	180	0.29	880
LTM0410-R12K	1.20	7.9	33	7.9	160	0.42	730
LTM0410-R15K	1.50	7.9	33	7.9	150	0.50	670
LTM0410-R18K	1.80	7.9	33	7.9	135	0.65	590
LTM0410-2R2K	2.20	7.9	33	7.9	120	0.95	485
LTM0410-2R7K	2.70	7.9	33	7.9	110	1.2	430
LTM0410-3R3K	3.30	7.9	33	7.9	100	2.0	335
LTM0410-3R9K	3.90	7.9	33	7.9	90	2.3	310
LTM0410-4R7K	4.70	7.9	33	7.9	55	2.6	294
LTM0410-5R6K	5.60	7.9	45	7.9	55	0.32	565
LTM0410-6R8K	6.80	7.9	50	7.9	50	0.50	450
LTM0410-8R2K	8.20	7.9	50	7.9	45	0.60	410
LTM0410-100K	10	7.9	55	7.9	42	0.96	335
LTM0410-120K	12	2.5	65	2.5	40	1.1	305
LTM0410-150K	15	2.5	75	2.5	34	1.4	271
LTM0410-180K	18	2.5	75	2.5	30	2.3	213
LTM0410-220K	22	2.5	60	2.5	26	2.5	202
LTM0410-240K	24	2.5	60	2.5	25	2.5	202
LTM0410-270K	27	2.5	65	2.5	21	2.6	198
LTM0410-300K	30	2.5	65	2.5	19	2.8	191
LTM0410-330K	33	2.5	60	2.5	15.5	3.0	185
LTM0410-360K	36	2.5	60	2.5	14.5	2.5	205
LTM0410-390K	39	2.5	60	2.5	13.7	2.6	198
LTM0410-430K	43	2.5	55	2.5	13.0	2.8	194
LTM0410-470K	47	2.5	55	2.5	12.7	2.8	193
LTM0410-510K	51	2.5	55	2.5	12.0	2.9	189
LTM0410-560K	56	2.5	55	2.5	11.5	3.0	184
LTM0410-620K	62	2.5	55	2.5	11.0	3.2	180
LTM0410-680K	68	2.5	55	2.5	10.3	3.3	176
LTM0410-750K	75	2.5	55	2.5	10.0	3.7	166
LTM0410-820K	82	2.5	50	2.5	9.5	3.9	162
LTM0410-910K	91	2.5	50	2.5	8.9	4.3	154
LTM0410-101K	100	2.5	50	2.5	8.7	4.5	151
LTM0410-111K	110	0.79	60	0.79	8.5	4.9	144
LTM0410-121K	120	0.79	65	0.79	8.0	5.2	140
LTM0410-131K	130	0.79	65	0.79	7.5	5.5	137
LTM0410-151K	150	0.79	65	0.79	8.0	6.1	130
LTM0410-161K	160	0.79	65	0.79	7.5	6.4	126
LTM0410-181K	180	0.79	65	0.79	8.0	6.1	130
LTM0410-201K	200	0.79	65	0.79	6.5	7.1	123
LTM0410-221K	220	0.79	65	0.79	6.2	7.5	117
LTM0410-241K	240	0.79	65	0.79	5.9	7.8	115
LTM0410-271K	270	0.79	65	0.79	5.7	11.0	143
LTM0410-301K	300	0.79	65	0.79	5.4	11.5	140
LTM0410-331K	330	0.79	65	0.79	5.1	12.0	136
LTM0410-361K	360	0.79	65	0.79	4.8	12.5	134
LTM0410-391K	390	0.79	65	0.79	4.5	16.3	117
LTM0410-431K	430	0.79	65	0.79	4.2	17.1	115
LTM0410-471K	470	0.79	65	0.79	3.9	17.9	112
LTM0410-511K	510	0.79	65	0.79	3.7	18.8	109
LTM0410-561K	560	0.79	65	0.79	3.8	19.5	107
LTM0410-621K	620	0.79	65	0.79	3.3	25.9	93
LTM0410-681K	680	0.79	65	0.79	3.1	27.2	91
LTM0410-751K	750	0.79	65	0.79	2.9	28.6	88
LTM0410-821K	820	0.79	65	0.79	2.7	30.0	86
LTM0410-911K	910	0.79	65	0.79	2.5	31.5	84
LTM0410-102K	100	0.79	65	0.79	2.3	33.0	82

PHYSICAL CHARACTERISTICS



DIMENSIONS in mm

Electrical Schematic



TECHNICAL INFORMATION:

- Inductance Testing: ,HP4284A,HP4285A or equivalent
- RDC:QuadTech 1880 Milliohmeter
- Q- HP4342A
- SRF-HP4191A or HP4194A
- Rated Current L value drop 10% typ. at I_{DC} against its initial value
- Temperature rise 40°C Max Reference ambient temperature
- Solderability: 75% of the lead wire shall be covered
- Soldering Methods: Wave, Reflow
- Operating Temperature: -25°C to +85°C
- Storage Temperature: -55°C to +125°C
- Terminal bending strength: 24.5N Min
- Moisture resistance: ΔL/L ≤ ± 10% ΔQ/Q ≤ ± 25%

Note: All specifications subject to change without notice.

Note: 1. K= ± 10%, M= ± 20%