

SURFACE-MOUNT HIGH CURRENT INDUCTORS

SPI-HC SERIES

0605HC, 1006HC, 1306HC, 1608HC

FEATURES:

- Current up to 50A
- Flat-top for Pick & Place
- Very low DC Resistance
- Low profile

OPTIONS:

- Tape & Reel is Standard
- Bulk Packaging Available for Smaller Quantities
- Custom Design Available

COMMON APPLICATIONS:

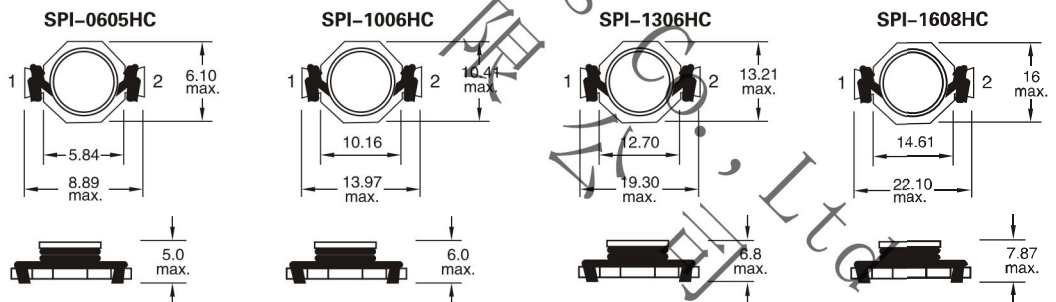
- Ideal for High Current, Low Voltage DC – DC Converters
- Designed for 3.3V Microprocessor

STANDARD SPECIFICATION:

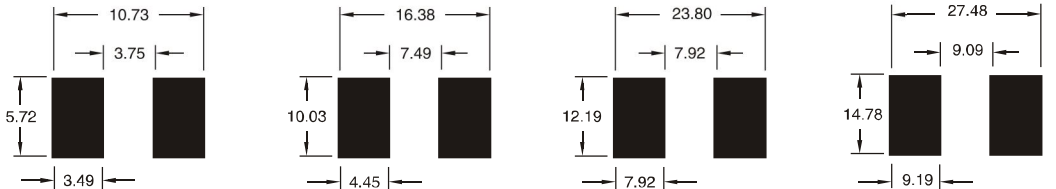
Part Number SPL-XXX	0605HC				1006HC			1306HC			1608HC		
	L μH(rated)	IRMS A(max)	I SAT A(max)	DCR (Ω)max	IRMS A(max)	I SAT A(max)	DCR (Ω)max	IRMS A(max)	I SAT A(max)	DCR (Ω)max	IRMS A(max)	I SAT A(max)	DCR (Ω)max
R47	0.47	6.0	7.7	0.0097	10.6	11.4	0.0049	16.0	25.1	0.0021	19.2	51.7	0.0019
1R0	1.0	4.4	5.8	0.0177	9.3	9.9	0.0065	12.5	15.2	0.0034	17.3	37.3	0.0023
1R5	1.5	4.2	4.5	0.0200	8.3	7.9	0.0081	10.0	12.0	0.0053	13.4	28.9	0.0039
2R2	2.2	3.1	3.5	0.0363	7.2	6.1	0.0107	9.2	10.2	0.0074	12.0	23.7	0.0048
3R3	3.3	2.9	3.0	0.0428	6.5	5.1	0.0128	8.0	9.3	0.0083	11.0	20.2	0.0057
4R7	4.7	2.2	2.6	0.0544	5.5	4.2	0.0165	6.5	7.7	0.0114	8.6	15.6	0.0093
6R8	6.8	1.7	2.2	0.0897	5.0	3.6	0.0202	5.8	6.2	0.0183	8.3	14.1	0.0100
100	10.0	1.5	1.9	0.1107	4.3	3.3	0.0267	4.3	5.2	0.0261	6.8	11.5	0.0150
150	15.0	1.2	1.5	0.1747	3.5	2.4	0.0410	3.9	4.3	0.0317	5.5	9.1	0.0230
220	22.0	1.0	1.2	0.2541	2.8	2.0	0.0617	3.1	3.7	0.0491	4.5	7.6	0.0340
330	33.0	0.82	0.99	0.3670	2.1	1.7	0.0917	2.4	3.0	0.0688	3.7	6.1	0.0520
470	47.0	0.72	0.87	0.4740	1.7	1.4	0.1388	1.9	2.4	0.1082	3.1	5.2	0.0740
680	68.0	0.58	0.67	0.7320	1.5	1.2	0.1787	1.6	2.0	0.1558	2.4	4.3	0.1200
101	100.0	0.47	0.53	1.1090	1.2	0.95	0.2707	1.4	1.8	0.2053	2.0	3.6	0.1700

PHYSICAL CHARACTERISTICS Dimensions(mm):

MECHANICAL DIAGRAM



PCB PAD LAYOUT



Technical information:

- Notes: (1)Open Circuit Inductance Test Parameters: 100KHz, 250Vrms, 0.0A dc.
 (2)RMS current for an approximate ΔT of 40°C. at an ambient temperature of 85°C.
 (3)Peak current for approximately 30% rolloff.
 (4)DCR limits 20°C.
 (5)Operating Temperature: -40°C to + 85°C
 All specifications subject to change without notice.