

THROUGH-HOLE CURRENT-COMPENSATED CHOKES

TRF SERIES

FEATURES:

- 0.3A to 10A ratings
- 0.7mH to 100mH dual chokes
- Excellent Mechanical Strength
- 100KHz to 3MHz common mode resonance
- High Reliability and variant PCB-mount housing
- Low resistance and temperature rise

OPTIONS:

- Bulk packaging is standard
- Custom design available

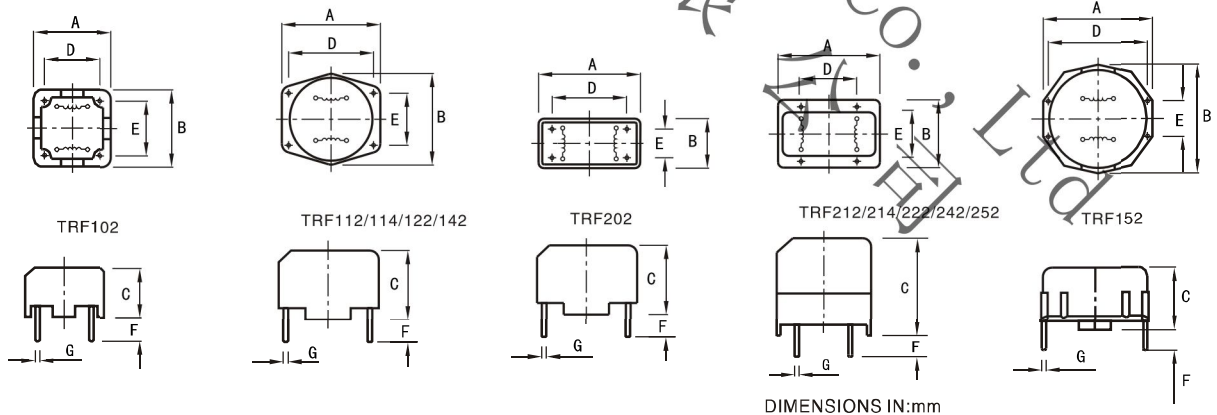
COMMON APPLICATIONS:

- DC/DC, AC/DC line noise suppression
- Communication System
- Automotive Systems
- LCD/PDPTelevisions
- Computer Peripheral Equipment

ELECTRICAL CHARACTERISTICS:

Part Number	Inductance L mH	Test Freq KHz	DCR mΩ Max	IDC Max A	Part Number	Inductance L mH	Test Freq KHz	DCR mΩ Max	IDC Max A
TRF102/202-123Y	12	10	1275	0.3	TRF114/214-332Y	3.3	10	75	2.5
TRF102/202-452Y	4.5	10	385	0.6	TRF114/214-202Y	2	10	55	3
TRF102/202-302Y	3	10	205	1.0	TRF114/214-152Y	1.5	10	35	4
TRF102/202-222Y	2.2	10	150	1.5	TRF122/222-473Y	47	10	1180	0.6
TRF102/202-102Y	1	10	70	2	TRF122/222-393Y	39	10	1000	0.8
TRF112/212-393Y	39	10	460	0.4	TRF122/222-183Y	18	10	610	1
TRF112/212-273Y	27	10	1250	0.5	TRF122/222-103Y	10	10	220	1.5
TRF112/212-153Y	15	10	465	0.6	TRF122/222-682Y	6.8	10	147	2
TRF112/212-103Y	102	10	370	0.8	TRF122/222-332Y	3.3	10	45	4
TRF112/212-682Y	6.8	10	245	1.2	TRF142/242-683Y	68	10	1600	0.8
TRF112/212-332Y	3.3	10	135	1.5	TRF142/242-333Y	33	10	810	1
TRF112/212-182Y	1.8	10	75	2	TRF142/242-273Y	27	10	500	1.5
TRF112/212-102Y	1	10	35	3.5	TRF142/242-682Y	6.8	10	190	2
TRF114/214-473Y	47	10	1750	0.3	TRF142/242-332Y	3.3	10	66	4
TRF114/214-393Y	39	10	810	0.5	TRF152/252-683Y	68	10	1300	1
TRF114/214-273Y	27	10	500	0.8	TRF152/252-183Y	18	10	350	2
TRF114/214-153Y	15	10	375	1	TRF152/252-682Y	6.8	10	87	4
TRF114/214-103Y	10	10	200	1.2	TRF152/252-392Y	3.9	10	41	6
TRF114/214-682Y	6.8	10	130	1.5	TRF152/252-272Y	2.7	10	22	8

TECHNICAL INFORMATION & PHYSICAL CHARACTERISTICS



Note: 102, 112, 114, 142, 122, 152 horizontal
202, 212, 214, 242, 222, 252 vertical

- Inductance tolerance in +50% -30%
- Max operating voltage: 250V at 40°C
- IDC Max: rating AC/DC current A @40°C
- Hi-Pot 1500Vac winding to winding 3S.
- Inductance Testing: 10KHz 0.1V HP4284A
- RDC: QuadTech 1880 Milliohmeter
- Surge current Max 10ms: 20X IDC
- Operating temperature: -40°C to +105°C
- Storage Temperature: -40°C to +105°C
- Resistance to soldering heat: 260°C for 10 seconds
- Marking: Part number and date code

P/N	TRF102	TRF112	TRF114	TRF122	TRF202	TRF212	TRF214	TRF222	TRF242	TRF142	TRF152	TRF252
A	14	17.7	22.5	28	18	18.5	23	27	32	33.5	43	43
B	14	17.2	21.5	27	8.8	13.5	15.5	18	18	32.5	42	25
C	8.5	13.5	13.2	16.5	13.5	20	25	30	35	19.7	25	44
D	10	15	20	25	15.2	15	10	12.5	12.5	30	40	30.5
E	10	10	12.5	15	5.08	10	12.5	15	15	20	15	17.8
F	4	4	4	4	4.5	4	4	0.8	4	4.5	4.5	4.5
G	0.6	0.8	0.8	0.8	0.8	0.8	0.8	4	0.8	0.8	1.2	1.2

Note: All specifications subject to change without notice.