

## THROUGH-HOLE TOROIDAL COMMON MODE CHOKES TRF SERIES

### FEATURES:

- 0.3A to 10A ratings
- 0.7mH to 100mH dual chokes
- Excellent Mechanical Strength
- 100KHz to 3MHz common mode resonance
- High Reliability and variant PCB-mount housing
- Low resistance and temperature rise

### OPTIONS:

- Bulk packaging is standard
- Custom design available

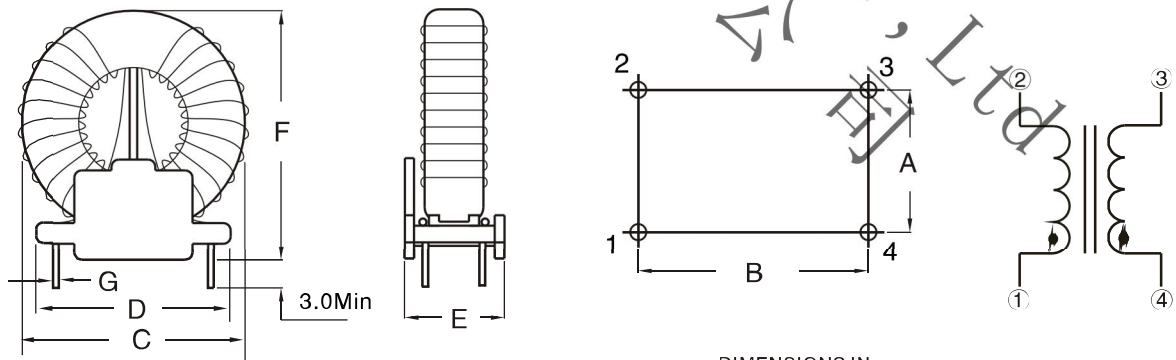
### COMMON APPLICATIONS:

- DC/DC, AC/DC line noise suppression
- Communication System
- Automotive Systems
- LCD/PDPTelevisions
- Computer Peripheral Equipment It accord with the standards of FCC VCCI CISPR FTZ,etc, eliminating of electromagnetic noise of power and signal circuit.

### ELECTRICAL CHARACTERISTICS:

Part Number	Inductance (mH Min)	RATED RMS Current Amps	DCR each winding (Ohms Max)	Leakage (μ H) Type	Part Number	Inductance (mH Min.)	RATED RMS Current Amps	DCR each winding (Ohms Max)	Leakage (μ H) Type
TRF3518-163Y	16.0	1.5	0.320	180	TRF4525-563Y	56.0	1.8	1.0	550
TRF3518-103Y	10.0	2.2	0.240	130	TRF4525-333Y	33.0	2.0	0.730	300
TRF3518-802Y	8.0	2.5	0.120	90	TRF4525-223Y	22.0	3.2	0.352	280
TRF3518-402Y	4.0	3.5	0.040	45	TRF4525-153Y	15.0	4.2	0.132	150
TRF3518-302Y	3.0	6.0	0.030	35	TRF4525-123Y	12.0	6.8	0.098	95
TRF3518-202Y	2.0	9.0	0.020	25	TRF4525-502Y	5.0	12	0.035	50
TRF3518-102Y	1.0	15.0	0.010	12	TRF4525-302Y	3.0	15	0.009	20
TRF3622-163Y	16.0	2.2	0.40	180	TRF5230-124Y	120.0	1.5	1.15	900
TRF3622-103Y	10.0	3.0	0.35	130	TRF5230-723Y	72.0	2.6	0.50	600
TRF3622-802Y	8.0	3.5	0.143	85	TRF5230-333Y	33.0	4.2	0.124	450
TRF3622-402Y	4.0	5.4	0.105	45	TRF5230-223Y	22.0	6.0	0.117	180
TRF3622-302Y	3.0	6.5	0.054	35	TRF5230-153Y	15.0	9.0	0.060	180
TRF3622-202Y	2.0	8.7	0.020	25	TRF5230-103Y	10.0	15	0.033	120
TRF3622-122Y	1.2	15	0.010	12	TRF5230-602Y	6.0	18	0.028	100

### TECHNICAL INFORMATION & PHYSICAL CHARACTERISTICS:



DIMENSIONS IN:mm

- Inductance tolerance in +50% -30%
  - Max operating voltage:250V at 40°C
  - IDC Max: rating AC/DC current A @40°C
  - Hi-Pot 2500Vac winding to winding 3S.
  - Inductance Testing: 10KHz 0.1V HP4284A
  - RDC:QuadTech 1880 Milliohmeter
  - Surge current Max 10ms: 20X IDC
  - Operating temperature: -40°C to +105°C
  - Storage Temperature: -40°C to +105°C
  - Resistance to soldering heat:260°C for 10 seconds
  - Marking: Part number and date code
- Note:All specifications subject to change without notice.

Part number	A	B	C	D	E	F	G
TRF3518	10.16	20.32	34.3	25.4	17.78	31.52	1.2
TRF3622	15.24	22.86	36.83	27.94	22.86	33.5	1.2
TRF4525	17.78	30.48	44.45	35.56	25.4	44.7	1.2
TRF5230	22.86	38.1	52.07	43.18	30.48	58.0	1.2