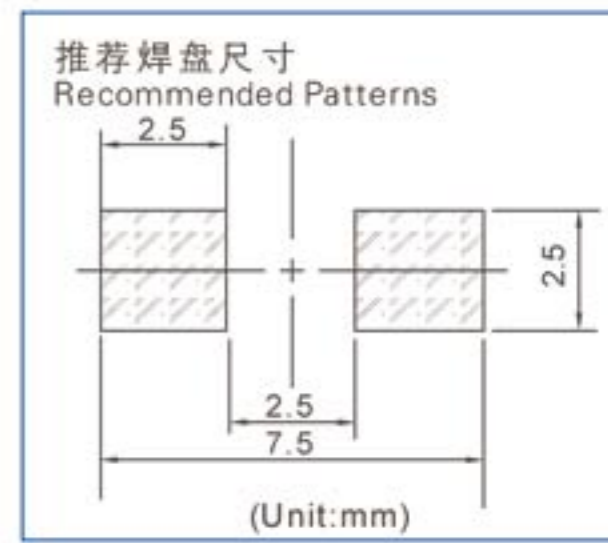
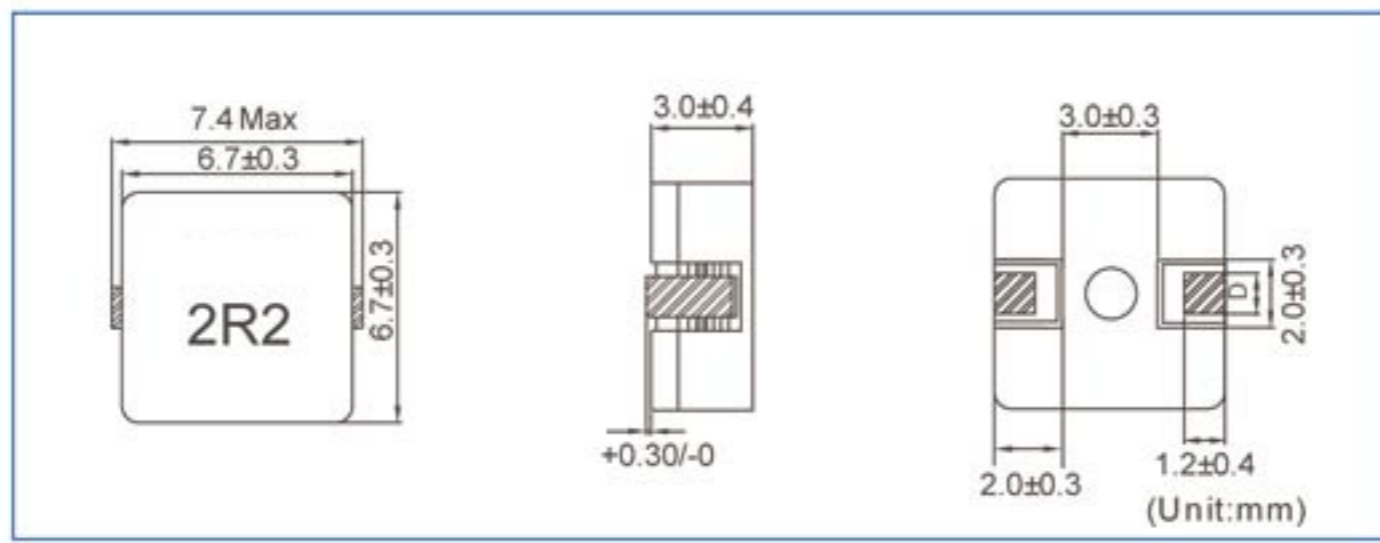


SB Series: High Current Inductors

SB 06 Series



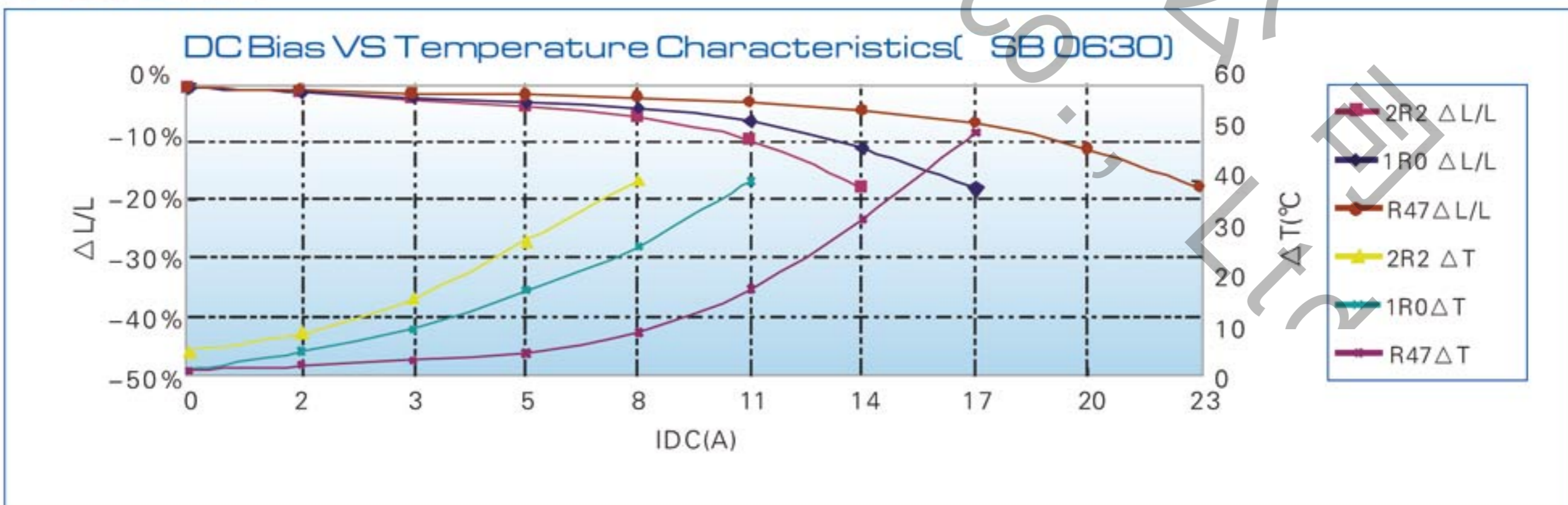
电气性能 Electrical characteristics

SB 0630

产品编号 Part No.	测试条件 Test Condition	电感值 Inductance L(uH) ± 20%	直流电阻(mΩ) DC Resistance Max	温升电流 Heat Rated Current (A)Max	饱和电流 Saturation Current (A)Max	尺寸 (单位: mm) Dimensions(unit:mm)
						D:Ref
SB 0630-R13M	100KHz/1.0V	0.13	1.00	22.0	48.0	1.2
SB 0630-R22M	100KHz/1.0V	0.22	2.00	18.0	40.0	1.2
SB 0630-R52M	100KHz/1.0V	0.52	4.07	14.0	20.0	1.2
SB 0630-R95M	100KHz/1.0V	0.95	7.00	11.0	13.0	1.2
SB 0630-1R2M	100KHz/1.0V	1.20	9.45	8.5	13.0	1.2
SB 0630-1R5M	100KHz/1.0V	1.50	14.00	7.5	12.0	1.2
SB 0630-2R2M	100KHz/1.0V	2.20	18.40	6.5	9.0	1.2

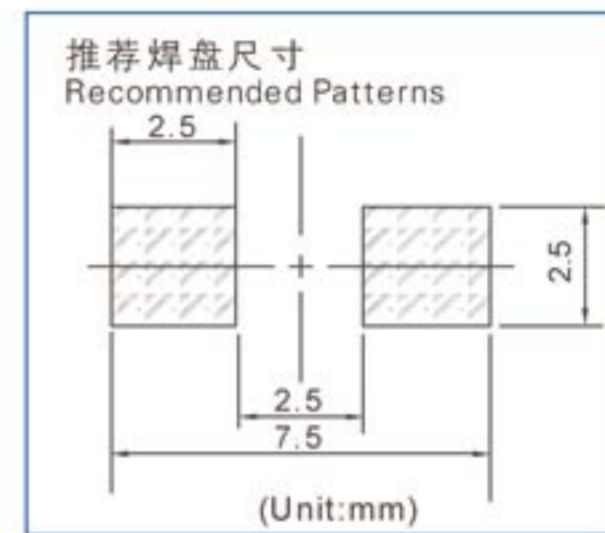
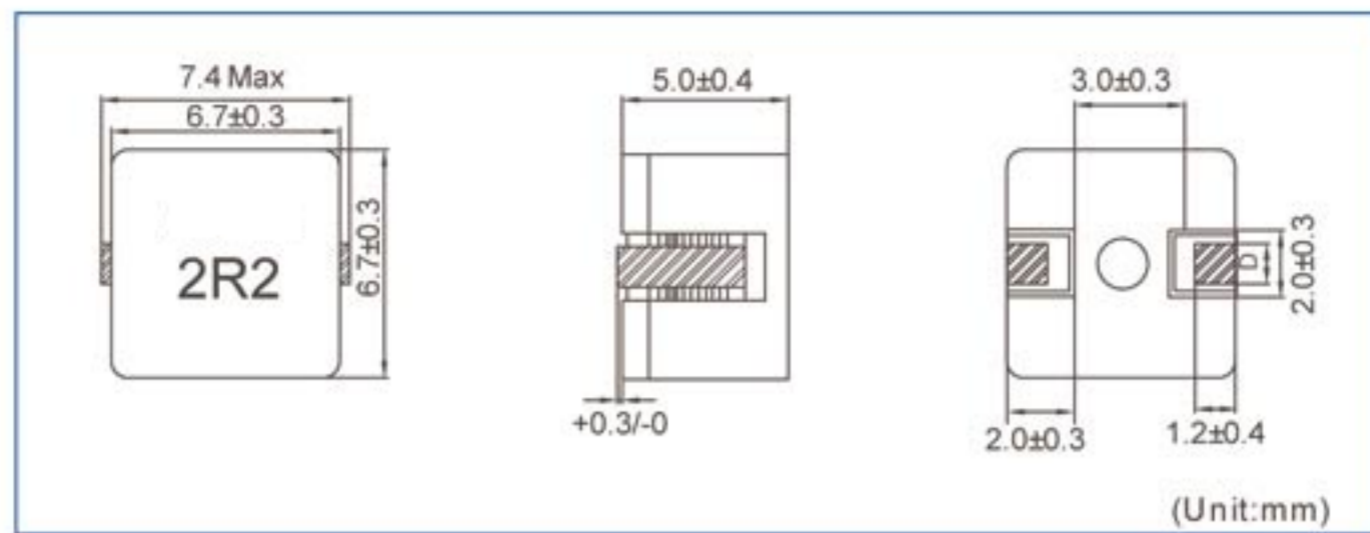
直流重叠、温升特性曲线图 DC Bias & Temperature Characteristics

SB 0630



SB Series: High Current Inductors

SB 06 Series



电气性能 Electrical characteristics

SB 0650

产品编号 Part No.	测试条件 Test Condition	电感值 Inductance L(uH) ± 20%	直流电阻(mΩ) DC Resistance Max	温升电流 Heat Rated Current (A)Max	饱和电流 Saturation Current (A)Max	尺寸 (单位: mm) Dimensions(unit:mm)
						D:Ref
SB 0650-R68M	100KHz/1.0V	0.68	2.5	16.0	15.0	1.2
SB 0650-R82M	100KHz/1.0V	0.82	3.5	15.0	13.0	1.2
SB 0650-1R0M	100KHz/1.0V	1.0	6.0	13.0	11.0	1.2
SB 0650-1R5M	100KHz/1.0V	1.5	7.0	12.0	9.0	1.2
SB 0650-2R2M	100KHz/1.0V	2.2	8.0	11.0	8.0	1.2
SB 0650-3R3M	100KHz/1.0V	3.3	12.0	9.0	7.0	1.2
SB 0650-4R7M	100KHz/1.0V	4.7	25.0	8.0	6.5	1.2
SB 0650-6R8M	100KHz/1.0V	6.8	35.0	6.0	5.5	1.2
SB 0650-100M	100KHz/1.0V	10.0	50.0	5.0	4.0	1.2

直流重叠、温升特性曲线图 DC Bias & Temperature Characteristics

SB 0650

DC Bias VS Temperature Characteristics(SB 0650)(SB 0640)

