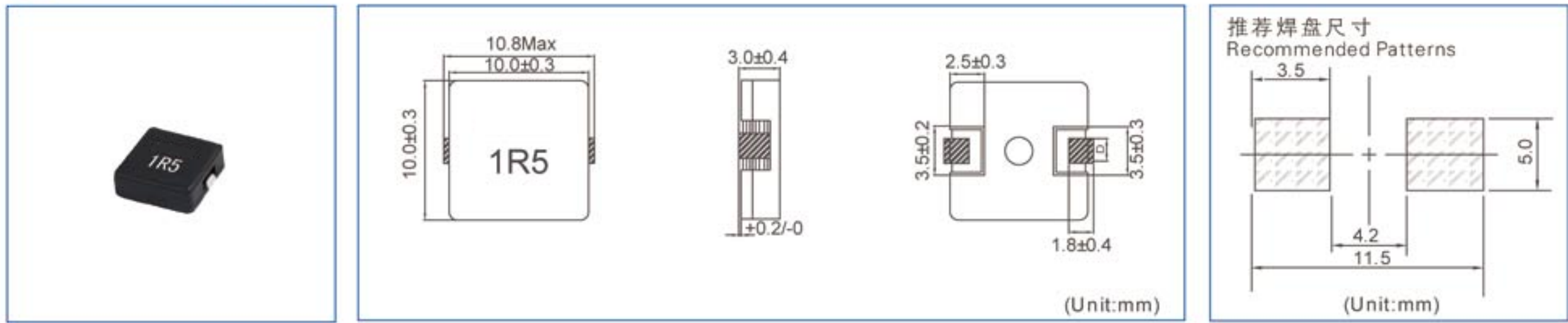


SB Series: High Current Inductors

SB 10 Series



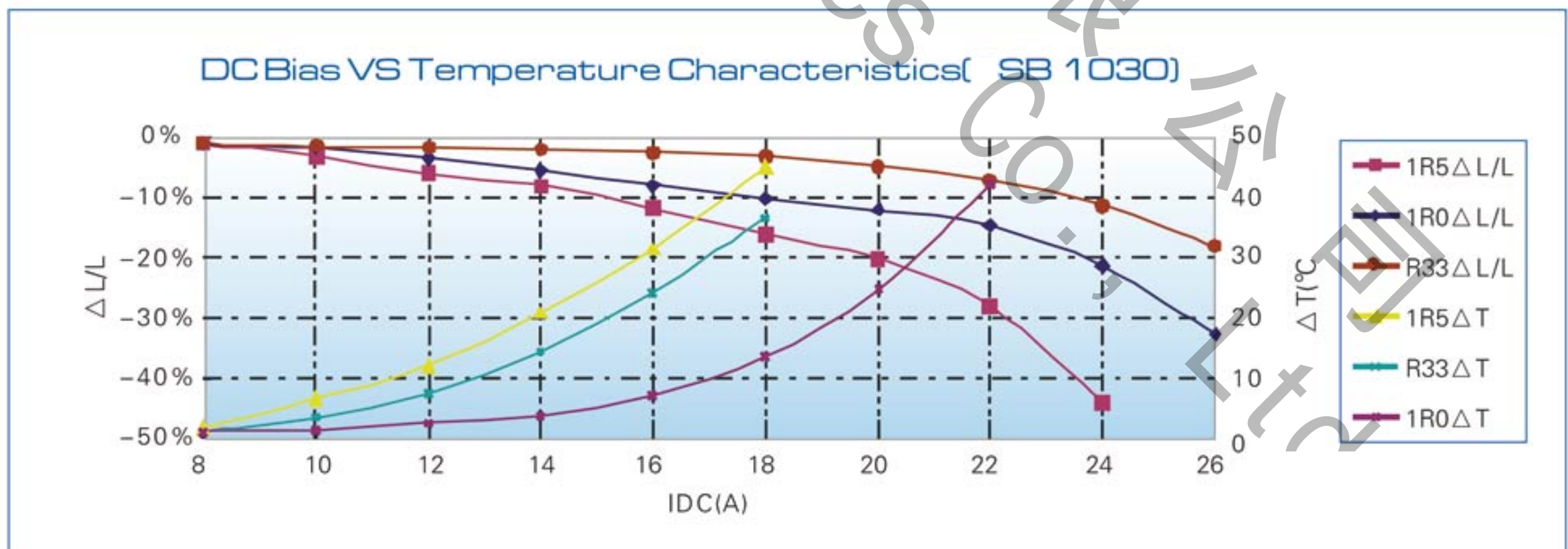
电气性能 Electrical characteristics

SB 1030

产品编号 Part No.	测试条件 Test Condition	电感值 Inductance L(uH) ± 20%	直流电阻(mΩ) DC Resistance Max	温升电流 Heat Rated Current (A)Max	饱和电流 Saturation Current (A)Max	尺寸 (单位: mm) Dimensions(unit:mm)
						D:Ref
SB1030-R12M	100KHz/1.0V	0.12	1.5	16.0	20.0	1.8
SB1030-R33M	100KHz/1.0V	0.33	3.0	14.0	18.0	1.8
SB1030-R60M	100KHz/1.0V	0.6	4.5	12.0	15.0	1.8
SB1030-1R0M	100KHz/1.0V	1.0	9.0	11.0	14.0	1.8
SB1030-1R5M	100KHz/1.0V	1.5	15.0	9.0	12.0	1.8

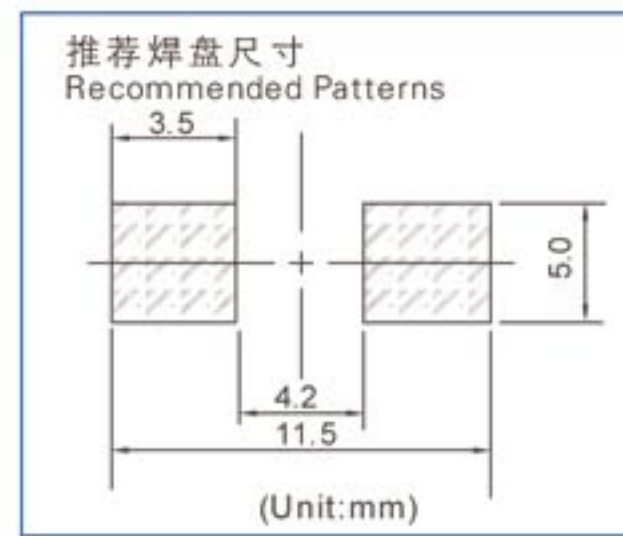
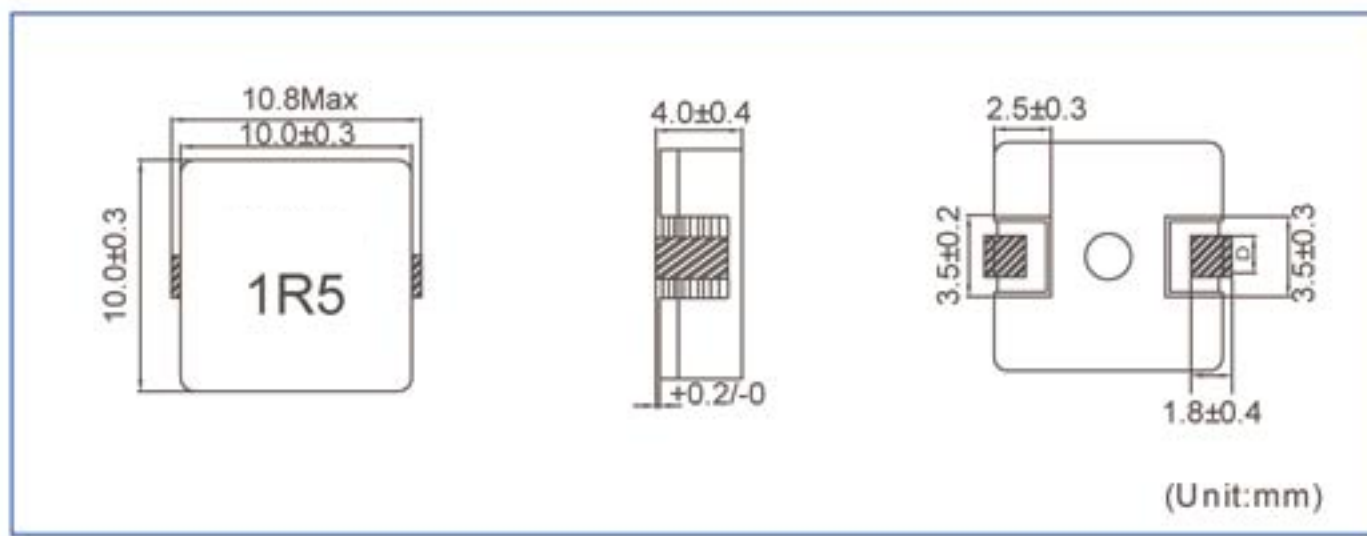
直流重叠、温升特性曲线图 DC Bias & Temperature Characteristics

SB 1030



SB Series: High Current Inductors

SB 10 Series



电气性能 Electrical characteristics

SB 1040

产品编号 Part No.	测试条件 Test Condition	电感值 Inductance L(μH) ± 20%	直流电阻(mΩ) DC Resistance Max	温升电流 Heat Rated Current (A)Max	饱和电流 Saturation Current (A)Max	尺寸 (单位: mm) Dimensions(unit:mm)
						D:Ref
SB1040-R60M	100KHz/1.0V	0.60	4.0	17.0	20.0	2.4
SB1040-1R0M	100KHz/1.0V	1.00	6.0	15.0	18.0	2.4
SB1040-1R5M	100KHz/1.0V	1.50	9.0	14.0	16.0	2.2
SB1040-2R0M	100KHz/1.0V	2.00	10.0	12.0	12.0	1.8
SB1040-2R7M	100KHz/1.0V	2.70	11.0	10.0	11.0	1.8
SB1040-3R3M	100KHz/1.0V	3.30	15.0	9.0	10.0	1.8
SB1040-4R7M	100KHz/1.0V	4.70	18.0	8.0	8.0	1.8

直流重叠、温升特性曲线图 DC Bias & Temperature Characteristics

SB 1040

