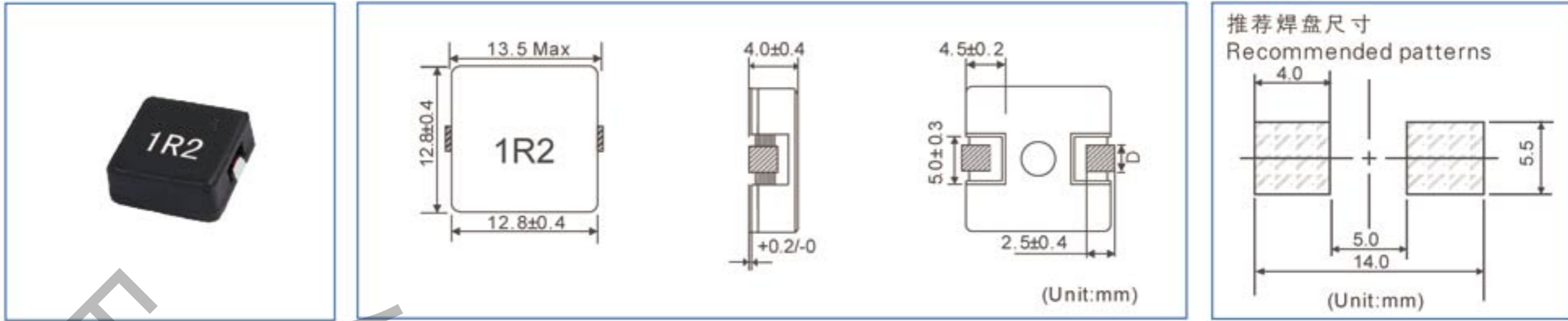


SB Series: High Current Inductors

SB 12 Series



电气性能 Electrical characteristics

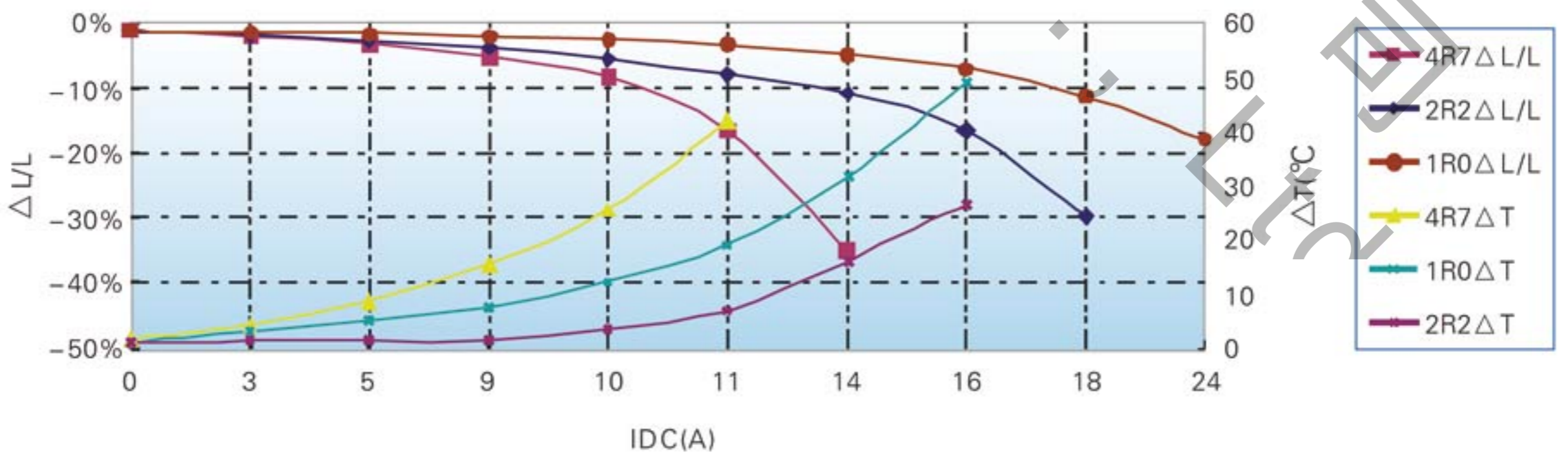
SB 1240

产品编号 Part No.	测试条件 Test Condition	电感值 Inductance L(uH) ± 20%	直流电阻(mΩ) DC Resistance Max	温升电流 Heat Rated Current (A)Max	饱和电流 Saturation Current (A)Max	尺寸(单位: mm) Dimensions(unit:mm)
						D:Ref
SB1240-1R0M	100KHz/1.0V	1.0	2.0	19.0	24.0	2.4
SB1240-1R5M	100KHz/1.0V	1.5	2.5	17.0	22.0	2.4
SB1240-2R2M	100KHz/1.0V	2.2	4.5	16.0	18.0	2.4
SB1240-2R7M	100KHz/1.0V	2.7	5.0	15.0	17.0	2.4
SB1240-3R5M	100KHz/1.0V	3.5	6.5	13.0	15.0	2.4
SB1240-4R7M	100KHz/1.0V	4.7	8.0	11.0	14.0	2.4

直流重叠、温升特性曲线图 DC Bias & Temperature Characteristics

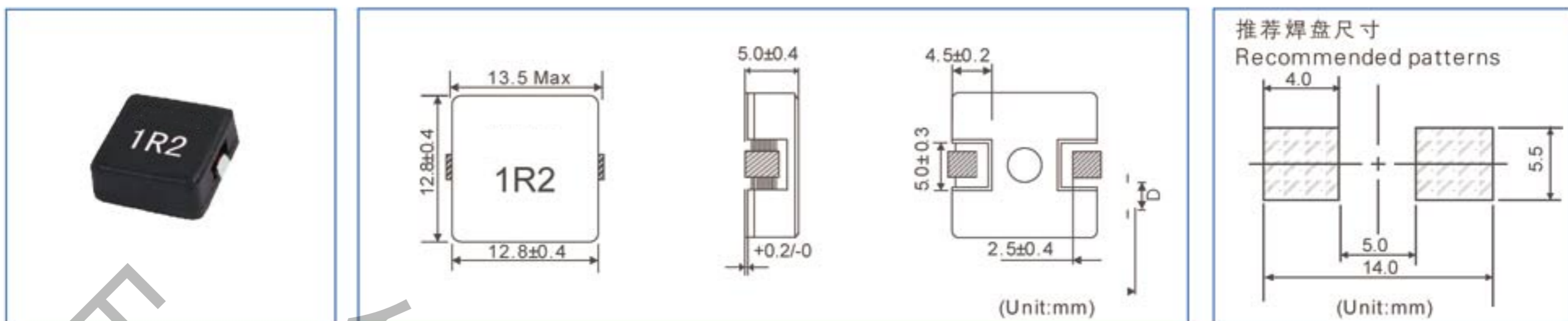
SB 1240

DC Bias VS Temperature Characteristics(SB 1240)



SB Series: High Current Inductors

SB 12 Series



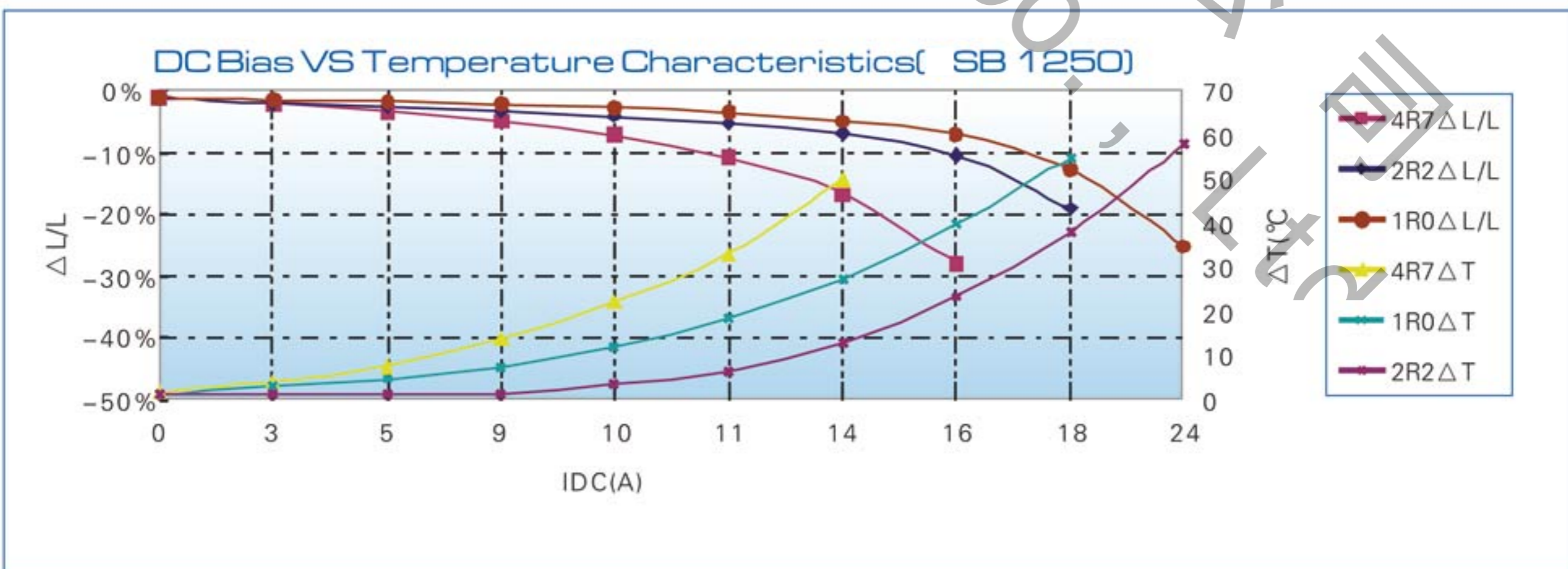
电气性能 Electrical characteristics

SB 1250

产品编号 Part No.	测试条件 Test Condition	电感值 Inductance L(uH) ± 20%	直流电阻(mΩ) DC Resistance Max	温升电流 Heat Rated Current (A)Max	饱和电流 Saturation Current (A)Max	尺寸 (单位: mm) Dimensions(unit:mm)
						D:Ref
SB1250-1R0M	100KHz/1.0V	1.0	2.0	22.0	25.0	2.4
SB1250-1R5M	100KHz/1.0V	1.5	2.5	18.0	19.0	2.4
SB1250-2R2M	100KHz/1.0V	2.2	4.5	17.0	18.0	2.4
SB1250-2R7M	100KHz/1.0V	2.7	5.0	16.0	17.0	2.4
SB1250-3R5M	100KHz/1.0V	3.5	6.5	14.0	16.0	2.4
SB1250-4R7M	100KHz/1.0V	4.7	8.0	12.0	15.0	2.4

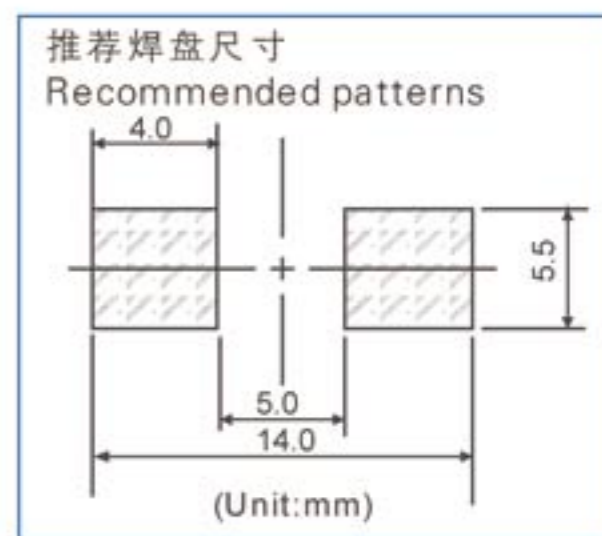
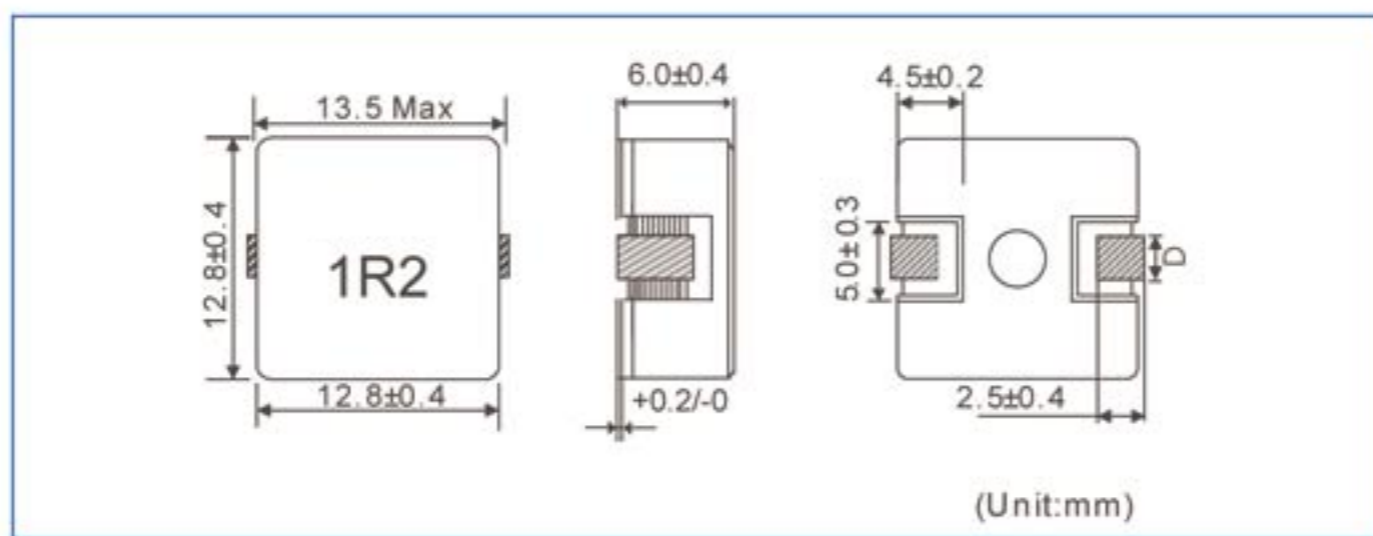
直流重叠、温升特性曲线图 DC Bias & Temperature Characteristics

SB 1250



SB Series: High Current Inductors

SB 12 Series



电气性能 Electrical characteristics

SB 1260

产品编号 Part No.	测试条件 Test Condition	电感值 Inductance L(uH) ± 20%	直流电阻(mΩ) DC Resistance Max	温升电流 Heat Rated Current (A)Max	饱和电流 Saturation Current (A)Max	尺寸 (单位: mm) Dimensions(unit:mm)
						D:Ref
SB1260-R47M	100KHz/1.0V	0.47	1.0	22.0	29.0	2.4
SB1260-1R0M	100KHz/1.0V	1.0	1.5	19.0	26.0	2.4
SB1260-1R5M	100KHz/1.0V	1.5	2.5	17.0	25.0	2.4
SB1260-2R2M	100KHz/1.0V	2.2	3.0	16.0	24.0	2.4
SB1260-3R3M	100KHz/1.0V	3.3	6.0	14.0	15.0	2.4
SB1260-4R7M	100KHz/1.0V	4.7	8.0	13.0	10.0	2.4
SB1260-6R8M	100KHz/1.0V	6.8	12.0	11.0	8.0	2.4

直流重叠、温升特性曲线图 DC Bias & Temperature Characteristics

SB 1260

DC Bias VS Temperature Characteristics (SB 1260)

