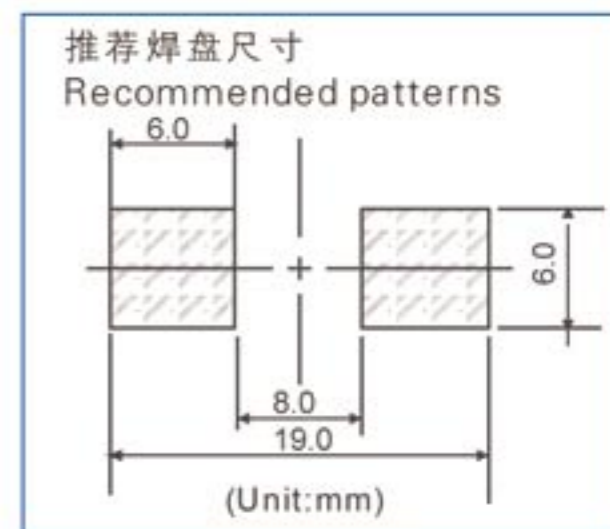
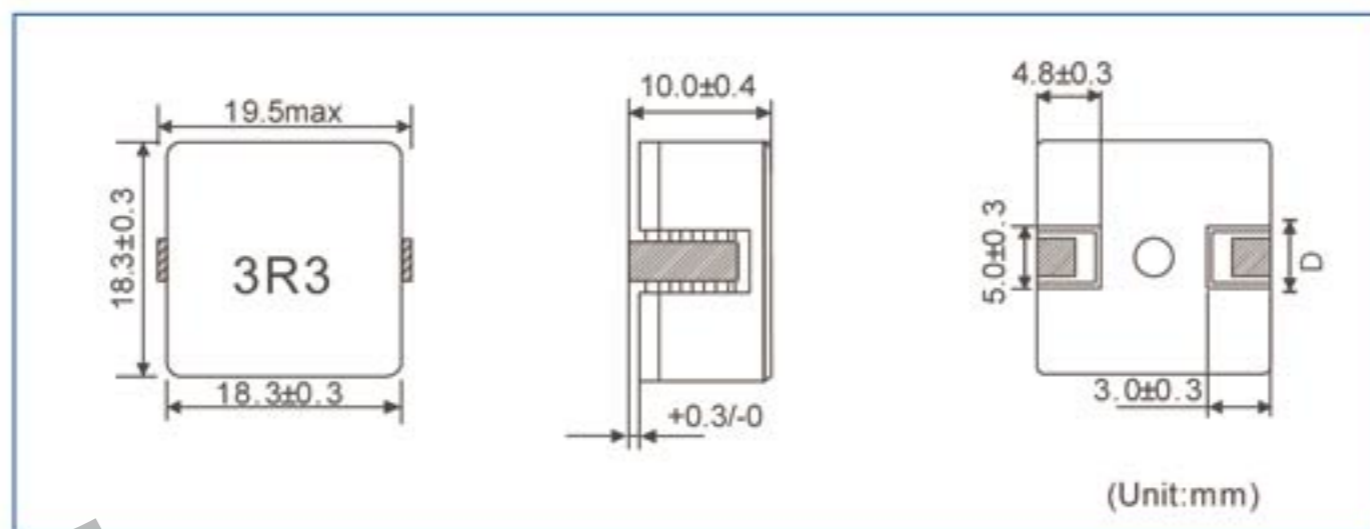


## SB Series: High Current Inductors

### SB 18 Series



## 电气性能 Electrical characteristics

### SB 1810

产品编号 Part No.	测试条件 Test Condition	电感值 Inductance L(uH) ± 20%	直流电阻(mΩ) DC Resistance Max	温升电流 Heat Rated Current (A)Max	饱和电流 Saturation Current (A)Max	尺寸 (单位:mm) Dimensions(unit:mm)
						D:Ref
SB 1810-R82M	100KHz/1.0V	0.82	2.0	41.0	65.0	3.0
SB 1810-1R2M	100KHz/1.0V	1.2	2.4	34.0	62.0	3.0
SB 1810-2R0M	100KHz/1.0V	2.0	4.5	30.0	52.0	3.0
SB 1810-2R5M	100KHz/1.0V	2.5	5.0	29.0	48.0	3.0
SB 1810-3R3M	100KHz/1.0V	3.3	8.0	22.0	37.0	3.0
SB 1810-4R7M	100KHz/1.0V	4.7	10.0	20.0	35.0	3.0
SB 1810-5R6M	100KHz/1.0V	5.6	11.0	17.0	32.0	3.0
SB 1810-6R8M	100KHz/1.0V	6.8	12.0	15.0	27.0	3.0
SB 1810-100M	100KHz/1.0V	10.0	15.0	14.0	20.0	3.0
SB 1810-150M	100KHz/1.0V	15.0	18.0	12.0	14.0	3.0
SB 1810-220M	100KHz/1.0V	22.0	20.0	8.0	11.0	3.0
SB 1810-330M	100KHz/1.0V	33.0	30.0	6.0	8.0	3.0
SB 1810-470M	100KHz/1.0V	47.0	45.0	4.5	7.0	3.0

## 直流重叠、温升特性曲线图 DC Bias & Temperature Characteristics

### SB 1810

