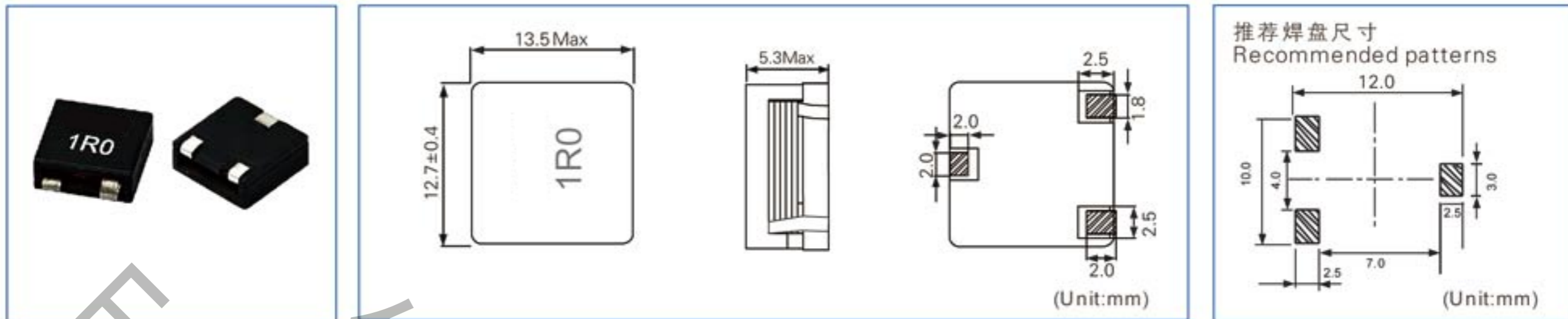


SC Series: High Current Inductors

SCD 12 Series



电气性能 Electrical characteristics

SCD 1250

产品编号 Part No.	测试条件 Test Condition	电感值 Inductance L(uH) ± 20%	直流电阻(mΩ) DC Resistance		温升电流 Heat Rated Current (A)Max	饱和电流 Saturation Current (A)Max
			Typical	Max		
SCD1250-R80M	100KHz/1.0V	0.8	1.0	1.2	32.0	21.0
SCD1250-1R2M	100KHz/1.0V	1.2	1.2	1.4	25.0	19.0
SCD1250-1R7M	100KHz/1.0V	1.7	1.9	2.0	22.0	18.0
SCD1250-2R0M	100KHz/1.0V	2.0	2.3	2.5	20.0	16.0
SCD1250-3R0M	100KHz/1.0V	3.0	2.8	3.1	18.0	14.0
SCD1250-4R8M	100KHz/1.0V	4.8	4.5	4.9	14.0	11.0
SCD1250-6R8M	100KHz/1.0V	6.8	7.0	7.5	12.0	9.0

直流重叠、温升特性曲线图 DC Bias & Temperature Characteristics

SCD 1250

