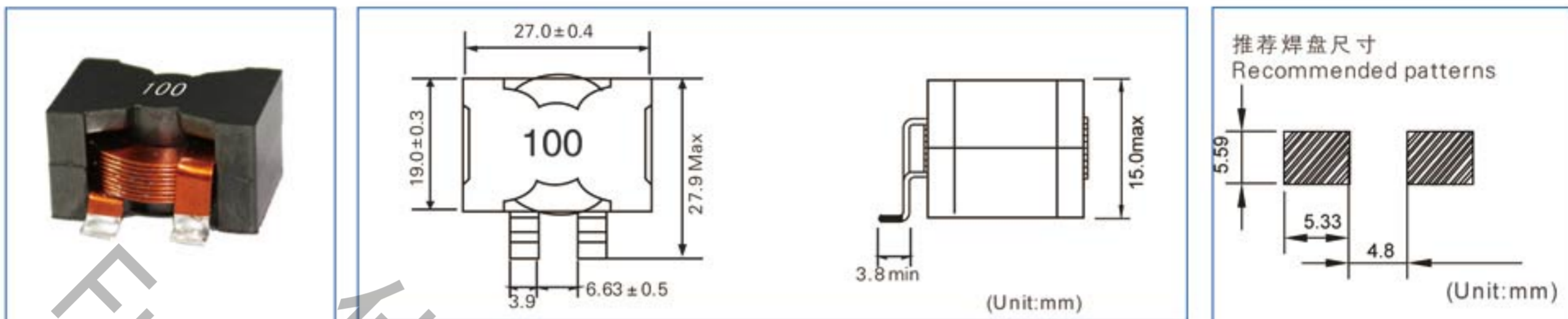


## SC Series: High Current Inductors

### SCF 29 Series



## 电气性能 Electrical characteristics

### SCF 2915

产品编号 Part No.	测试条件 Test Condition	电感值 Inductance L(uH) ± 20%	直流电阻(mΩ )DC Resistance		温升电流 Heat Rated Current (A)Max	饱和电流 Saturation Current (A)Max
			Typical	Max		
SCF 2915-1R5M	100KHz/1.0V	1.5	1.5	1.65	30.0	100.0
SCF 2915-2R2M	100KHz/1.0V	2.2	1.5	1.65	30.0	84.0
SCF 2915-3R3M	100KHz/1.0V	3.3	1.5	1.65	30.0	54.0
SCF 2915-4R7M	100KHz/1.0V	4.7	1.5	1.65	30.0	37.0
SCF 2915-6R8M	100KHz/1.0V	6.8	1.5	1.65	30.0	26.0
SCF 2915-100M	100KHz/1.0V	10.0	1.5	1.65	30.0	16.0
SCF 2915-150M	100KHz/1.0V	15.0	1.5	1.65	30.0	9.8
SCF 2915-220M	100KHz/1.0V	22.0	1.5	1.65	30.0	6.0
SCF 2915-330M	100KHz/1.0V	33.0	1.5	1.65	30.0	2.6

## 直流重叠、温升特性曲线图 DC Bias & Temperature Characteristics

### SCF 2915

