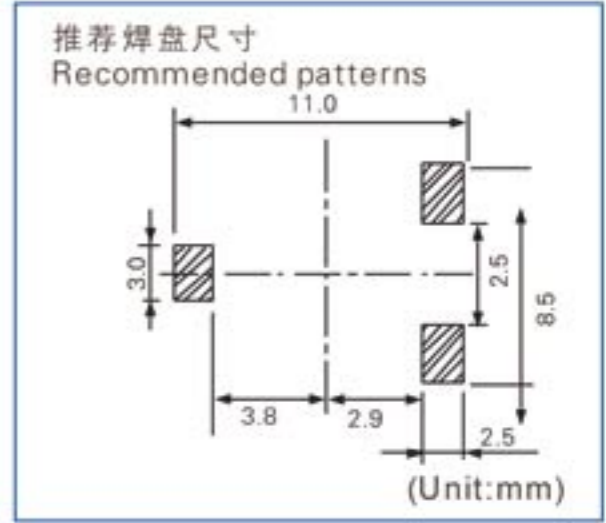
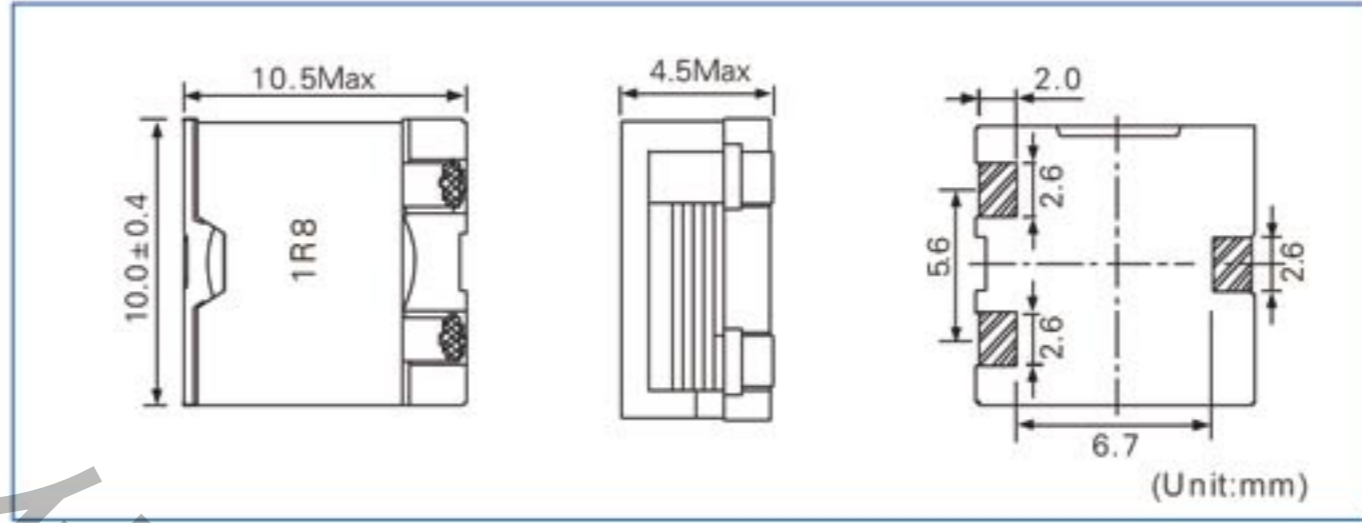


SC Series: High Current Inductors

SCI 10 Series



电气性能 Electrical characteristics

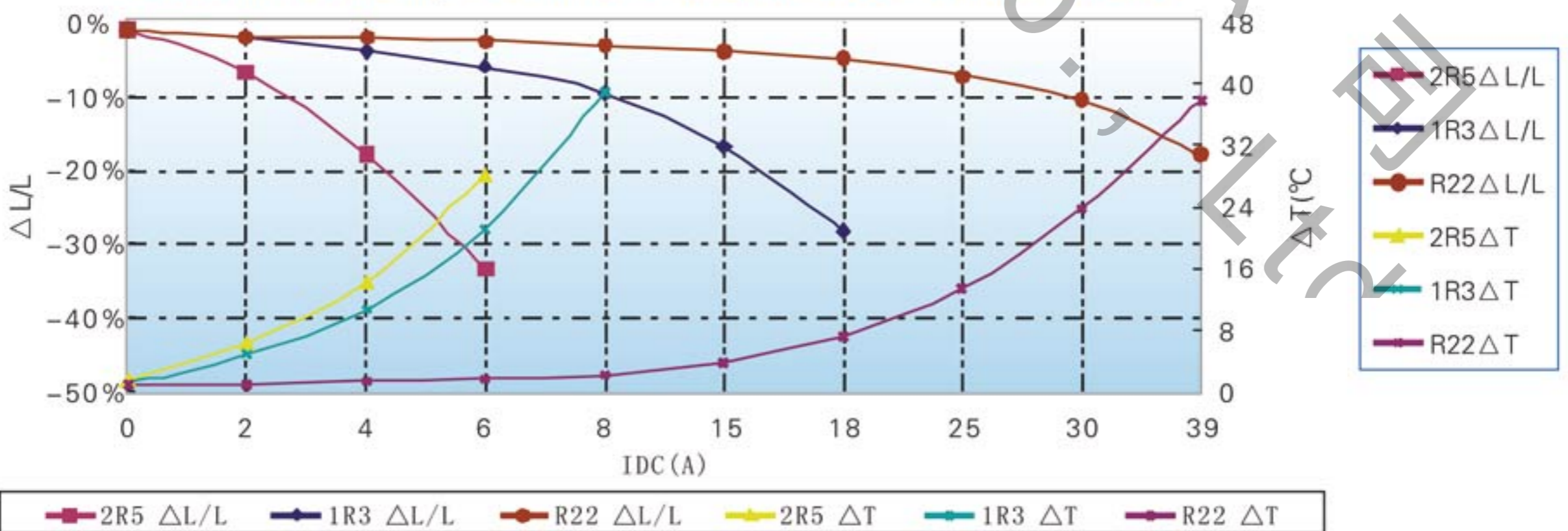
SCI 1045

产品编号 Part No.	测试条件 Test Condition	电感值 Inductance L(uH) ± 20%	直流电阻(mΩ)DC Resistance		温升电流 Heat Rated Current (A)Max	饱和电流 Saturation Current (A)Max
			Typical	Max		
SCI 1045-R22M	100KHz/1.0V	0.22	1.8	2.2	18.0	39.6
SCI 1045-R45M	100KHz/1.0V	0.45	3.1	3.7	13.4	27.6
SCI 1045-R80M	100KHz/1.0V	0.8	4.9	5.9	10.2	20.7
SCI 1045-1R3M	100KHz/1.0V	1.3	9.8	11.8	7.3	16.6
SCI 1045-1R8M	100KHz/1.0V	1.8	15.5	18.6	6.0	13.3
SCI 1045-2R5M	100KHz/1.0V	2.5	18.2	21.8	5.0	11.8

直流重叠、温升特性曲线图 DC Bias & Temperature Characteristics

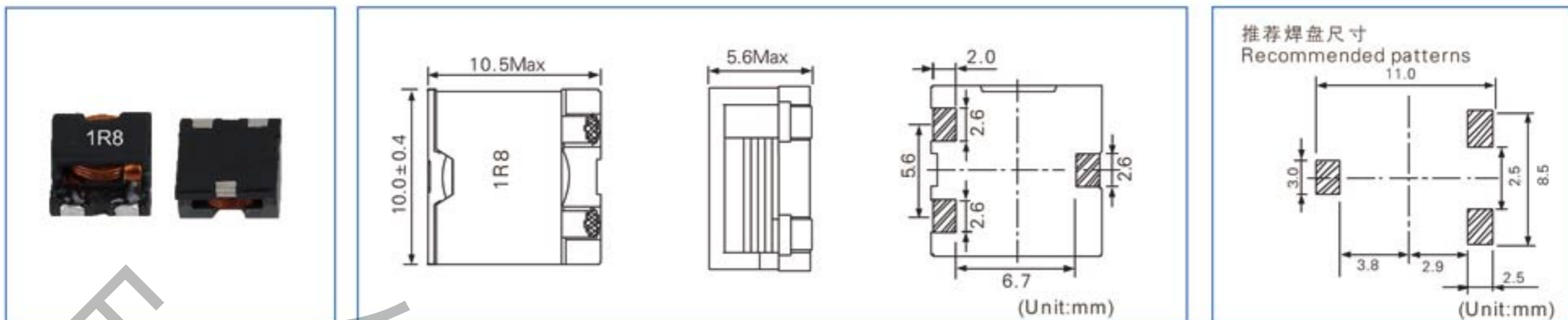
SCI 1045

DC Bias VS Temperature Characteristics(SCI 1045)



SC Series: High Current Inductors

SCI 10 Series



电气性能 Electrical characteristics

SCI 1056

产品编号 Part No.	测试条件 Test Condition	电感值 Inductance L(uH) ±20%	直流电阻(mΩ) DC Resistance		温升电流 Heat Rated Current (A)Max	饱和电流 Saturation Current (A)Max
			Typical	Max		
SCI 1056-R22M	100KHz/1.0V	0.22	1.4	1.7	19.0	26.4
SCI 1056-R45M	100KHz/1.0V	0.45	2.0	2.4	17.7	22.4
SCI 1056-R80M	100KHz/1.0V	0.8	3.4	4.1	13.0	20.8
SCI 1056-1R3M	100KHz/1.0V	1.3	4.4	5.3	11.2	16.8
SCI 1056-1R8M	100KHz/1.0V	1.8	6.2	7.5	9.0	13.8
SCI 1056-2R5M	100KHz/1.0V	2.5	8.7	10.5	7.8	11.8
SCI 1056-3R2M	100KHz/1.0V	3.2	10.3	12.4	7.4	10.5
SCI 1056-4R0M	100KHz/1.0V	4.0	15.0	18.0	6.2	9.3
SCI 1056-5R0M	100KHz/1.0V	5.0	19.0	23.8	4.9	8.4

直流重叠、温升特性曲线图 DC Bias & Temperature Characteristics

SCI 1056

DC Bias VS Temperature Characteristics(SCI 1056)

