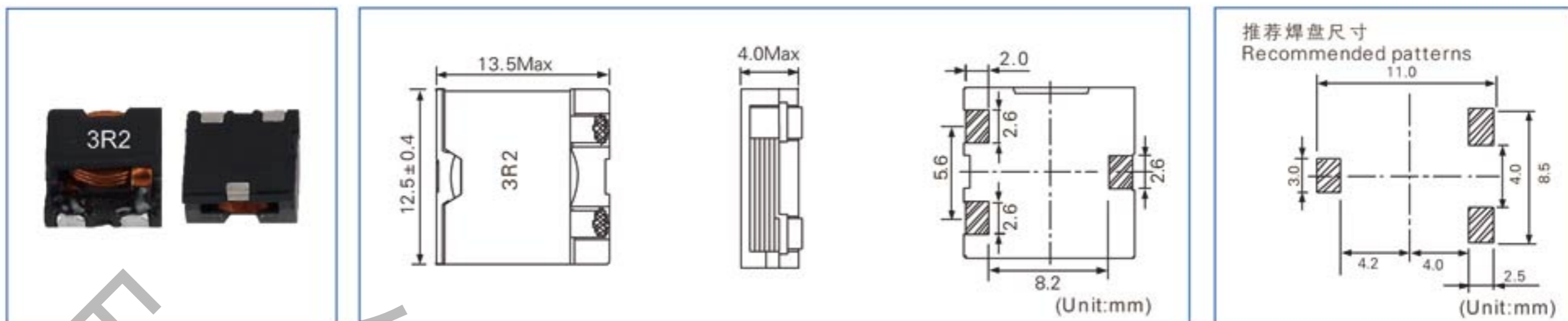


SC Series: High Current Inductors

SCI 12 Series



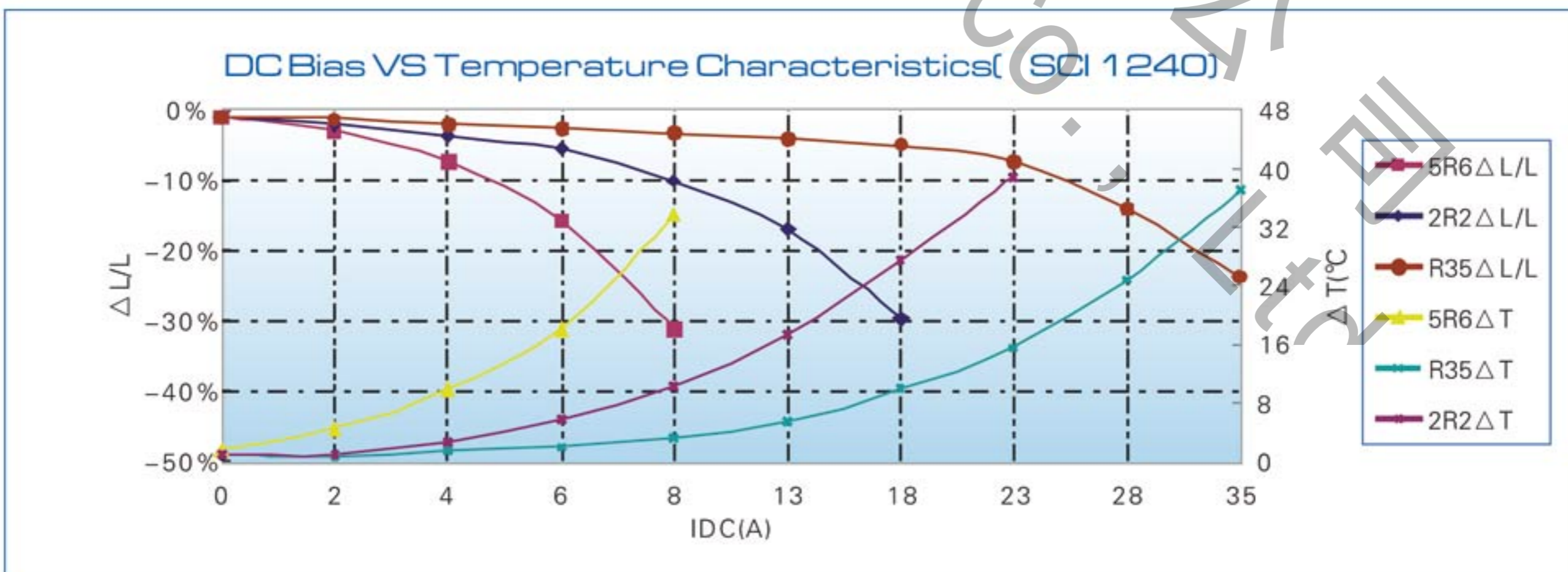
电气性能 Electrical characteristics

SCI 1240

产品编号 Part No.	测试条件 Test Condition	电感值 Inductance L(uH) ±20%	直流电阻(mΩ) DC Resistance		温升电流 Heat Rated Current (A)Max	饱和电流 Saturation Current (A)Max
			Typical	Max		
SCI 1240-R35M	100KHz/1.0V	0.35	1.2	1.5	25.0	35.0
SCI 1240-R80M	100KHz/1.0V	0.80	2.2	2.7	20.0	30.0
SCI 1240-1R4M	100KHz/1.0V	1.40	4.0	4.8	18.0	25.0
SCI 1240-2R2M	100KHz/1.0V	2.20	6.4	7.7	14.0	20.0
SCI 1240-3R2M	100KHz/1.0V	3.20	9.3	11.2	12.0	17.0
SCI 1240-4R3M	100KHz/1.0V	4.30	11.0	13.3	10.0	15.0
SCI 1240-5R6M	100KHz/1.0V	5.60	17.5	21.0	6.0	10.0

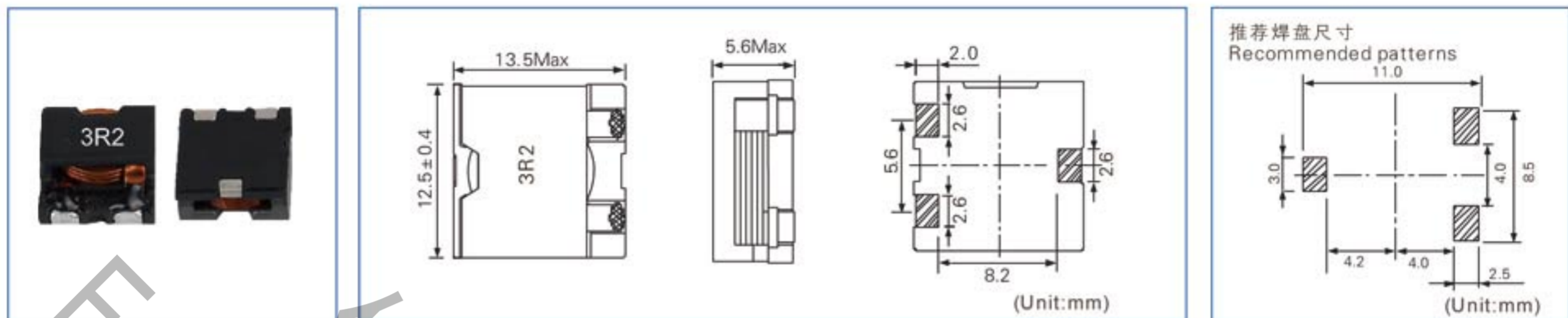
直流重叠、温升特性曲线图 DC Bias & Temperature Characteristics

SCI 1240



SC Series: High Current Inductors

SCI 12 Series



电气性能 Electrical characteristics

SCI 1256

产品编号 Part No.	测试条件 Test Condition	电感值 Inductance L(uH) ± 20%	直流电阻(m Ω) DC Resistance		温升电流 Heat Rated Current (A)Max	饱和电流 Saturation Current (A)Max
			Typical	Max		
SCI 1256-R35M	100KHz/1.0V	0.35	1.2	1.5	19.5	35.0
SCI 1256-R80M	100KHz/1.0V	0.8	1.8	2.2	18.0	25.7
SCI 1256-1R4M	100KHz/1.0V	1.4	2.8	3.4	15.5	19.2
SCI 1256-2R2M	100KHz/1.0V	2.2	4.5	5.4	12.5	14.8
SCI 1256-3R2M	100KHz/1.0V	3.2	6.6	8.0	9.9	12.8
SCI 1256-4R3M	100KHz/1.0V	4.3	9.5	11.4	8.2	11.0
SCI 1256-5R6M	100KHz/1.0V	5.6	11.2	13.5	7.6	9.5

直流重叠、温升特性曲线图 DC Bias & Temperature Characteristics

SCI 1256

