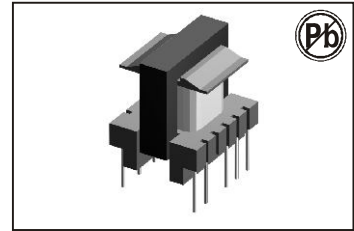


POWER FERRITE TRANSFORMERS

1-6W E16 - 2 OUTPUT

FLYBACK TRANSFORMER SERIES

T 74000, 74003 SERIES



FEATURES:

- Primary / Secondary Insulation \geq 4000V
- Primary Auxiliary Insulation \geq 1500V
- Creepage distances Primary / secondary \geq 6mm

OPTIONS:

- Bulk packaging is standard
- Custom design available

COMMON APPLICATIONS:

- AC-DC converters
- DC-DC converters
- Switch Power supplies
- SMPS: Flyback, Forward and Push-pull
- SMPS: Half Bridge and Full Bridge

ELECTRICAL CHARACTERISTICS

| 74000 E16 5w 5/12V | | | | |
|-------------------------|----------------|---------------|-------|-----------|
| Control IC Manufacturer | Control IC P/N | Input voltage | Power | Frequency |
| Power Integrations | TOP242P | 85 - 265 Vrms | 5 w | 132 kHz |
| ST Microelectronics | VIPer20 | 85 - 265 Vrms | 4 w | 70 kHz |

| 74003 E16 6w 3.3/5V | | | | |
|-------------------------|----------------|---------------|-------|-----------|
| Control IC Manufacturer | Control IC P/N | Input voltage | Power | Frequency |
| Infineon | TDA1683T | 85 - 265 Vrms | 6 w | 100 kHz |
| Motorola | MC33369 | 85 - 265 Vrms | 6 w | 100 kHz |
| Power Integrations | TOP242P | 85 - 265 Vrms | 5 w | 132 kHz |
| ST Microelectronics | VIPer20 | 85 - 265 Vrms | 6 w | 70 kHz |
| ST Microelectronics | VIPer20 | 85 - 265 Vrms | 3 w | 40 kHz |

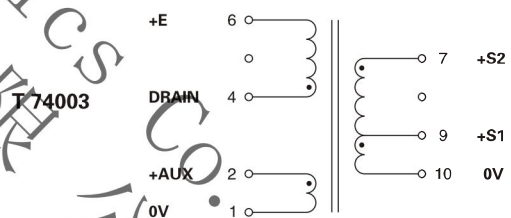
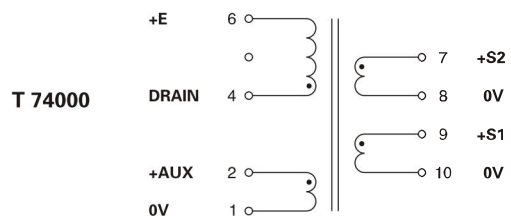
SIZE E16 - 2 OUTPUT : 5 or 12V & 3.3 or 5V - FLYBACK TRANSFORMER

| Part Number | Output Power max | Windings | | | | | Inductance (+/-10%) |
|-------------|------------------|----------|------|-------|----------------|-------------|---------------------|
| | | | Pins | Turns | Voltage | Current max | |
| T 74000 | 5w | Pri | 4-6 | 138 | 62 - 130 (VOR) | 0.27 Apeak | 3900 μ H |
| | | Aux | 2-1 | 16 | 7 - 14 Vdc | 0.1 Adc | |
| | | S1 | 9-10 | 8 | 3.3 - 7 Vdc | 1.2 Adc | |
| | | S2 | 7-8 | 19 | 8 - 17 Vdc | 0.4 Adc | |
| T 74003 | 6w | Pri | 4-6 | 120 | 55 - 115 (VOR) | 0.3 Apeak | 3000 μ H |
| | | Aux | 2-1 | 17 | 8 - 16 Vdc | 0.1 Adc | |
| | | S1 | 9-10 | 5 | 2 - 4 Vdc | 0.8 Adc | |
| | | S2 | 7-10 | 7 | 3 - 6 Vdc | 1.2 Adc | |

Note: Regulation with auxiliary winding

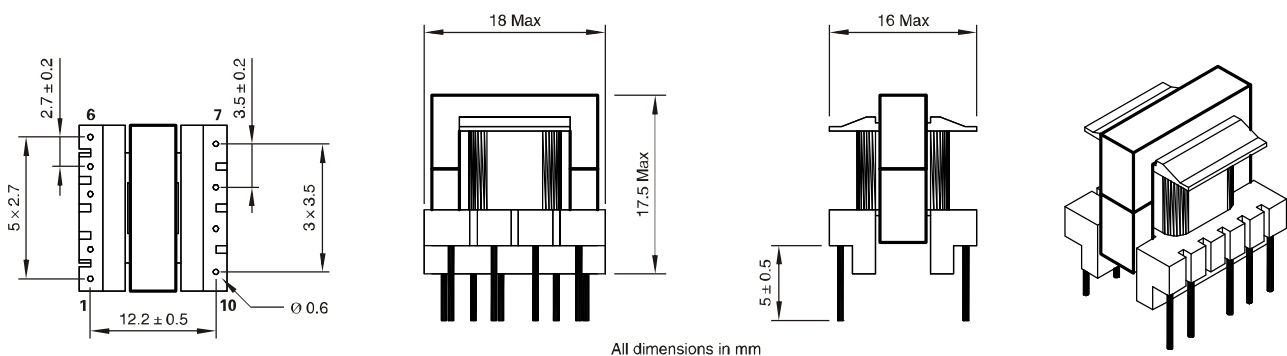
TECHNICAL INFORMATION

- Ambient temperature $<$ 70°C
- Construction conforms to CEI950, CEI335, CEI61558 for reinforced insulation
- Exclusively uses UL94-VO listed materials



Note: PIN 3 Removed, PCB Drilling Diameter = 1.1mm

PHYSICAL CHARACTERISTICS



All dimensions in mm