

# POWER FERRITE TRANSFORMERS

## 1-6W E16-SINGLE OUTPUT FLYBACK TRANSFORMERS

### T 74001, 74002 SERIES

#### FEATURES:

- Primary / Secondary Insulation  $\geq$  4000V
- Primary Auxiliary Insulation  $\geq$  1500V
- Creepage distances Primary / secondary  $\geq$  6mm

#### OPTIONS:

- Bulk packaging is standard
- Custom design available

#### COMMON APPLICATIONS:

- AC-DC converters
- DC-DC converters
- Switch Power supplies
- SMPS: Flyback, Forward and Push-pull
- SMPS: Half Bridge and Full Bridge

### ELECTRICAL CHARACTERISTICS

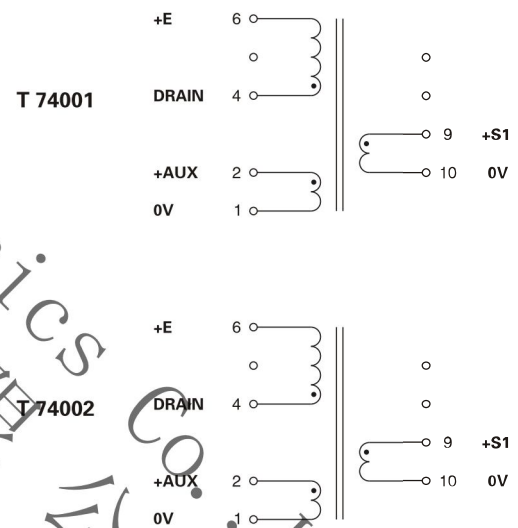
Control IC Manufacturer	Control IC P/N	Input voltage	Power	Frequency
Infineon	TDA16831	185 - 265 Vrms	6 w	100 kHz
Motorola	MC33369	85 - 265 Vrms	6 w	100 kHz
Power Integrations	TOP242P	85 - 265 Vrms	6 w	132 kHz
ST Microelectronics	VIPer20	85 - 265 Vrms	6 w	70 kHz
ST Microelectronics	VIPer20	85 - 265 Vrms	3 w	40 kHz

### TECHNICAL INFORMATION

- Ambient temperature  $<$  60°C
- Construction conforms to CEI950, CEI335, CEI61558 for reinforced insulation
- Exclusively uses UL94-VO listed materials

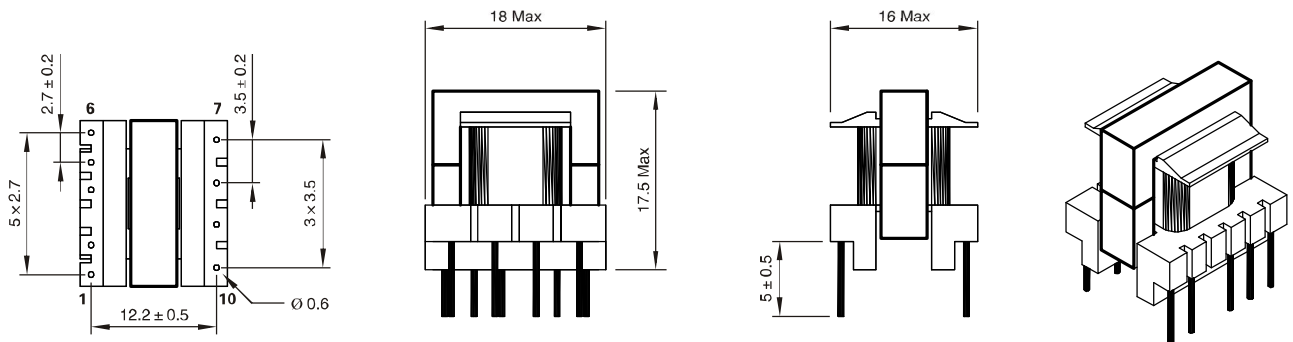
SIZE E16 - SINGLE OUTPUT : 5 or 12V - FLYBACK TRANSFORMER							
Part Number	Output Power max	Windings					Inductance (+/-10%)
			Pins	Turns	Voltage	Current max	
T 74001	6w	Pri	4-6	138	60 - 120 (VOR)	0.35 Apeak	3000 $\mu$ H
		Aux	2-1	16	8 - 16 Vdc	0.1 Adc	
		S1	9-10	8	3 - 6 Vdc	1.2 Adc	
T 74002	6w	Pri	4-6	150	60 - 120 (VOR)	0.38 Apeak	3000 $\mu$ H
		Aux	2-1	22	8.5 - 17 Vdc	0.1 Adc	
		S1	9-10	24	9 - 18 Vdc	0.5 Adc	

Note: Regulation with auxiliary winding



Note: PIN 3 Removed, PCB Drilling Diameter = 1.1mm

### PHYSICAL CHARACTERISTICS



All dimensions in mm