

POWER FERRITE TRANSFORMERS 1-9W E16-SINGLE OUTPUT TRANSFORMER FOR TINYSWITCHES T 74090, 74091 SERIES

FEATURES:

- Primary / Secondary Insulation $\geq 4000V$
- Creepage distances Primary / secondary $\geq 6mm$

OPTIONS:

- Bulk packaging is standard
- Custom design available

COMMON APPLICATIONS:

- AC-DC converters
- DC-DC converters
- Switch Power supplies
- SMPS: Flyback, Forward and Push-pull
- SMPS: Half Bridge and Full Bridge

ELECTRICAL CHARACTERISTICS

74090				
Control IC Manufacturer	Control IC P/N	Input voltage	Power	Frequency
Power Integrations	TNY254	85 – 265 Vrms	1.5 w	44 kHz

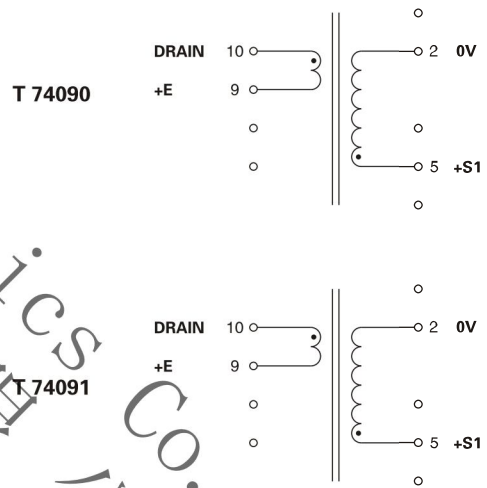
74091				
Control IC Manufacturer	Control IC P/N	Input voltage	Power	Frequency
Power Integrations	TNY254	85 – 265 Vrms	1.5 w	44 kHz

SIZE E16 – SINGLE OUTPUT : 5 or 12V TRANSFORMER FOR TINYSWITCH							
Part Number	Output Power max	Windings					Inductance (+/-10%)
			Pins	Turns	Voltage	Current max	
T 74090	1.5w	Pri	10-9	228	50-95 (VOR)	0.28 Apeak	6000 μ H
		S1	5-2	16	3.3-6 Vdc	0.4 Adc	
T 74091	1.5w	Pri	10-9	228	65-130 (VOR)	0.28 Apeak	6000 μ H
		S1	5-2	28	7.5 – 15 Vdc	0.2 Adc	

Note: Regulation with auxiliary winding

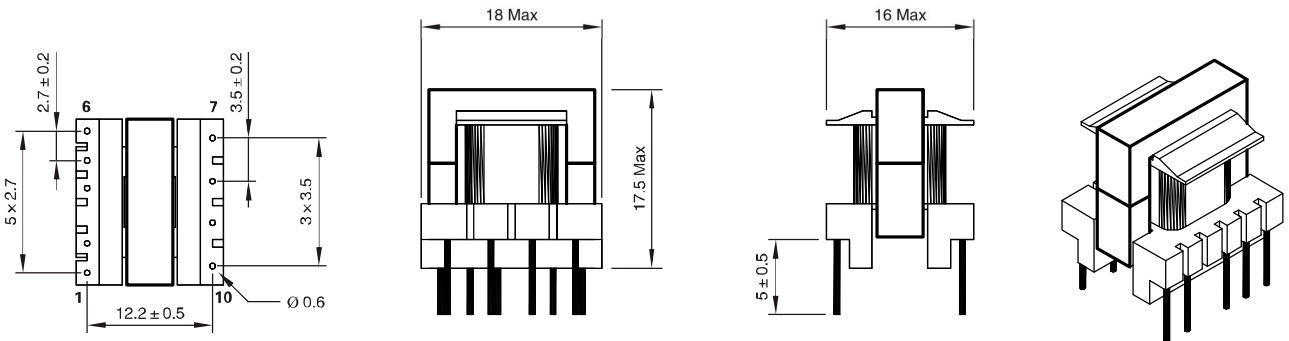
TECHNICAL INFORMATION

- Ambient temperature $< 85^{\circ}C$
- Construction conforms to CEI950, CEI335, CEI61558 for reinforced insulation
- Exclusively uses UL94-VO listed materials



Note: PIN 3 Removed, PCB Drilling Diameter = 1.1mm

PHYSICAL CHARACTERISTICS

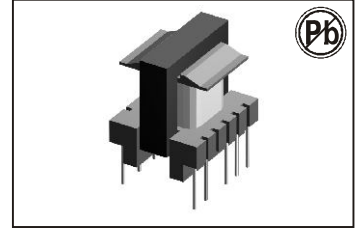


All dimensions in mm

POWER FERRITE TRANSFORMERS

1-9W E16-SINGLE OUTPUT TRANSFORMER FOR TINYSWITCHS

T 74092, 74093 SERIES



FEATURES:

- Primary / Secondary Insulation \geq 4000V
- Creepage distances Primary / secondary \geq 6mm

OPTIONS:

- Bulk packaging is standard
- Custom design available

COMMON APPLICATIONS:

- AC-DC converters
- DC-DC converters
- Switch Power supplies
- SMPS: Flyback, Forward and Push-pull
- SMPS: Half Bridge and Full Bridge

ELECTRICAL CHARACTERISTICS

74092				
Control IC Manufacturer	Control IC P/N	Input voltage	Power	Frequency
Power Integrations	TNY254	85 - 265 Vrms	3.1 w	44 kHz

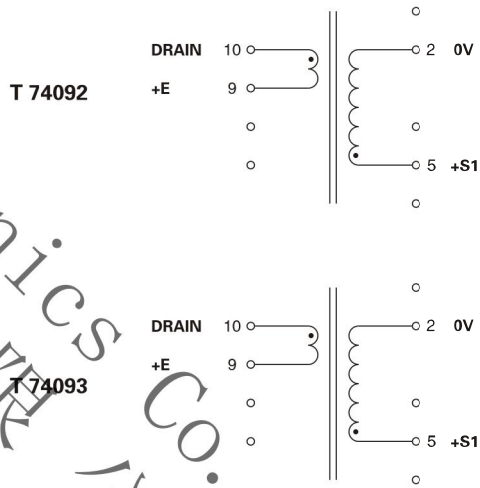
74093				
Control IC Manufacturer	Control IC P/N	Input voltage	Power	Frequency
Power Integrations	TNY254	85 - 265 Vrms	3.1 w	44 kHz

SIZE E16 - SINGLE OUTPUT : 5 or 12V TRANSFORMER FOR TINYSWITCH							
Part Number	Output Power max	Windings					Inductance (+/-10%)
			Pins	Turns	Voltage	Current max	
T 74092	3.1w	Pri	10-9	191	55-100 (VOR)	0.34 Apeak	4200 μ H
		S1	5-2	13	3.3-6 Vdc	0.9 Adc	
T 74093	3.1w	Pri	10-9	191	65-125 (VOR)	0.34 Apeak	4200 μ H
		S1	5-2	24	7.5 - 15 Vdc	0.4 Adc	

Note: Regulation with auxiliary winding

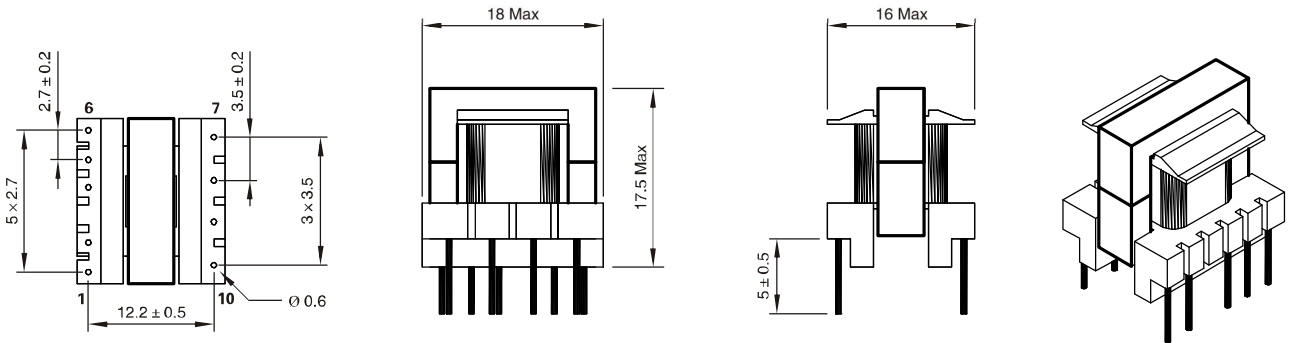
TECHNICAL INFORMATION

- Ambient temperature $<$ 70°C
- Construction conforms to CEI950, CEI335, CEI61558 for reinforced insulation
- Exclusively uses UL94-VO listed materials

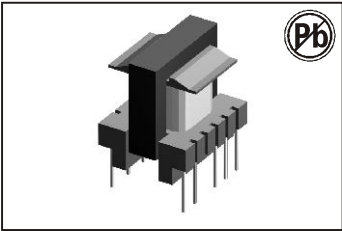


Note: PIN 3 Removed, PCB Drilling Diameter = 1.1mm

PHYSICAL CHARACTERISTICS



All dimensions in mm



POWER FERRITE TRANSFORMERS

1-9W E16-SINGLE OUTPUT TRANSFORMER FOR TINYSWITCHES

T 74094, 74095 SERIES

FEATURES:

- Primary / Secondary Insulation $\geq 4000V$
- Creepage distances Primary / secondary $\geq 6mm$

OPTIONS:

- Bulk packaging is standard
- Custom design available

COMMON APPLICATIONS:

- AC-DC converters
- DC-DC converters
- Switch Power supplies
- SMPS: Flyback, Forward and Push-pull
- SMPS: Half Bridge and Full Bridge

ELECTRICAL CHARACTERISTICS

74094				
Control IC Manufacturer	Control IC P/N	Input voltage	Power	Frequency
Power Integrations	TNY255	85 – 265 Vrms	4.2 w	44 kHz
Power Integrations	TNY264	85 – 265 Vrms	5 w	132 kHz
Power Integrations	TNY266	85 – 265 Vrms	9 w	132 kHz

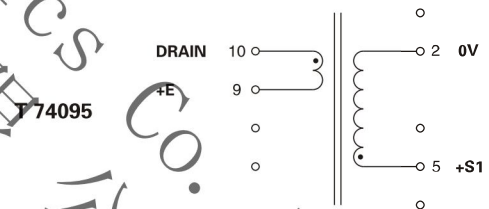
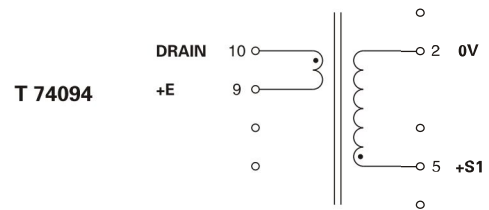
74095				
Control IC Manufacturer	Control IC P/N	Input voltage	Power	Frequency
Power Integrations	TNY255	85 – 265 Vrms	5 w	44 kHz
Power Integrations	TNY264	85 – 265 Vrms	5 w	132 kHz
Power Integrations	TNY266	85 – 265 Vrms	9 w	132 kHz

SIZE E16 – SINGLE OUTPUT : 5 or 12V TRANSFORMER FOR TINYSWITCH							
Part Number	Output Power max	Windings					Inductance (+/-10%)
			Pins	Turns	Voltage	Current max	
T 74094	9w	Pri	10-9	135	55-100 (VOR)	0.48 Apeak	2100 μ H
		S1	5-2	9	3.3-6 Vdc	1.5 Adc	
T 74095	9w	Pri	10-9	135	65-125 (VOR)	0.48 Apeak	2100 μ H
		S1	5-2	17	7.5 – 15 Vdc	0.9 Adc	

Note: Regulation with auxiliary winding

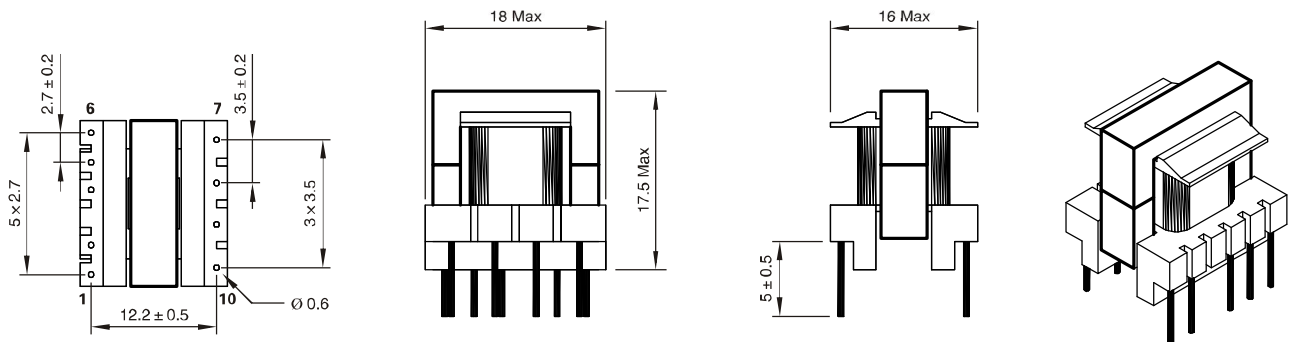
TECHNICAL INFORMATION

- Ambient temperature $< 60^{\circ}C$
- Construction conforms to CEI950, CEI335, CEI61558 for reinforced insulation
- Exclusively uses UL94-VO listed materials



Note: PIN 3 Removed, PCB Drilling Diameter $\geq 1.1mm$

PHYSICAL CHARACTERISTICS



All dimensions in mm