

POWER FERRITE TRANSFORMERS

10-18W EL19 - 5 OUTPUT FLYBACK TRANSFORMERS

T 74023 SERIES

FEATURES:

- Primary / Secondary Insulation \geq 4000V
- Primary Auxiliary Insulation \geq 1500V
- Creepage distances Primary / secondary \geq 6mm

OPTIONS:

- Bulk packaging is standard
- Custom design available

COMMON APPLICATIONS:

- AC-DC converters
- DC-DC converters
- Switch Power supplies
- SMPS: Flyback, Forward and Push-pull
- SMPS: Half Bridge and Full Bridge

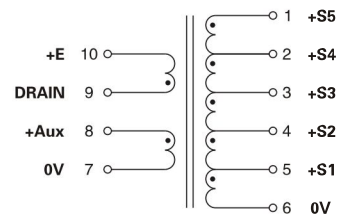
ELECTRICAL CHARACTERISTICS

Control IC Manufacturer	Control IC P/N	Input voltage	Power	Frequency
Power Integrations	TOP243P	185 - 265 Vrms	16 w	132 kHz
Power Integrations	TOP243P	85 - 265 Vrms	12 w	132 kHz

TECHNICAL INFORMATION

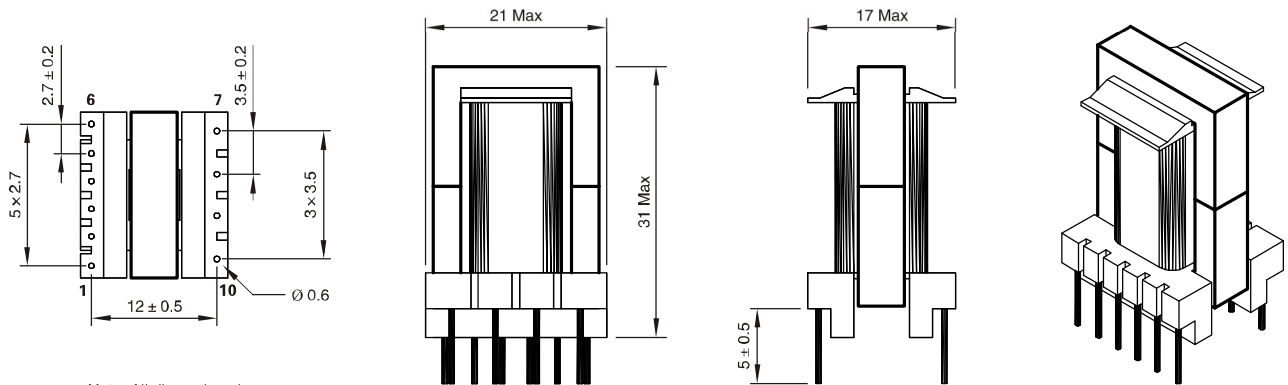
- Ambient temperature $<$ 60°C
- Construction conforms to CEI 950, CEI 335, CEI 61558 for reinforced insulation
- Exclusively uses UL94-VO listed materials

SIZE EL19 - 5 OUTPUTS : 3.3/5/12/18/30v - FLYBACK TRANSFORMER							
Part Number	Output Power max	Windings					
		Pins	Turns	Voltage	Current max	Inductance (+/-10%)	
T 74023	16 w	Pri	9-10	120	110 (VOR)	0.85 Apeak	1250 μ H
		Aux	8-7	17	15 Vdc	0.2 Adc	
		S1	5-6	4	3.3 Vdc	2 Adc	
		S2	4-6	6	5 Vdc	Sum S1+S2	
		S3	3-6	14	12 Vdc	0.8 Adc	
		S4	2-6	20	18 Vdc	0.8 Adc	
		S5	1-6	33	30 Vdc	0.2 Adc	



Note: PCB Drilling Diameter = 1.1mm

PHYSICAL CHARACTERISTICS



Note: All dimensions in mm