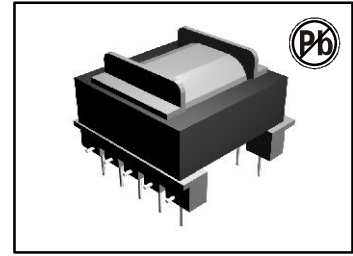


POWER FERRITE TRANSFORMERS

12-24W EF20 - 2 OUTPUT FLYBACK TRANSFORMERS

T 74080, 74082 SERIES



FEATURES:

- Primary / Secondary Insulation \geq 4000V
- Primary Auxiliary Insulation \geq 1500V
- Creepage distances Primary / secondary \geq 8mm

OPTIONS:

- Bulk packaging is standard
- Custom design available

COMMON APPLICATIONS:

- AC-DC converters
- DC-DC converters
- Switch Power supplies
- SMPS: Flyback, Forward and Push-pull
- SMPS: Half Bridge and Full Bridge

ELECTRICAL CHARACTERISTICS

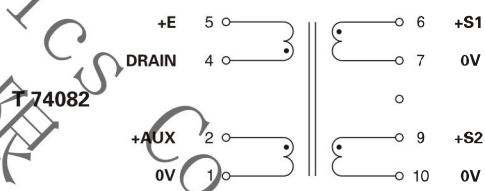
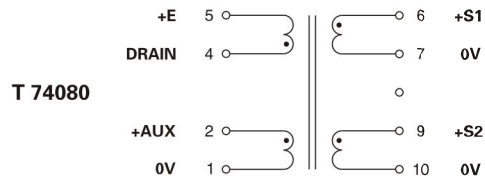
Part No.	Control IC Manufacturer	Control IC P/N	Input voltage	Power	Frequency
T 74080	Power Integrations	TOP243P	185-265 Vrms	24 w	132 kHz
	Power Integrations	TOP243P	85-265 Vrms	15 w	132 kHz
T 74082	Power Integrations	TNY268	185-265 Vrms	17 w	132 kHz
	Power Integrations	TOP243P	185-265 Vrms	20 w	132 kHz
	Power Integrations	TOP243P	85-265 Vrms	14 w	132 kHz

TECHNICAL INFORMATION

- Ambient temperature $<$ 50°C
- Construction conforms to CEI 950, CEI 335, CEI 61558 for reinforced insulation
- Exclusively uses UL94-VO listed materials

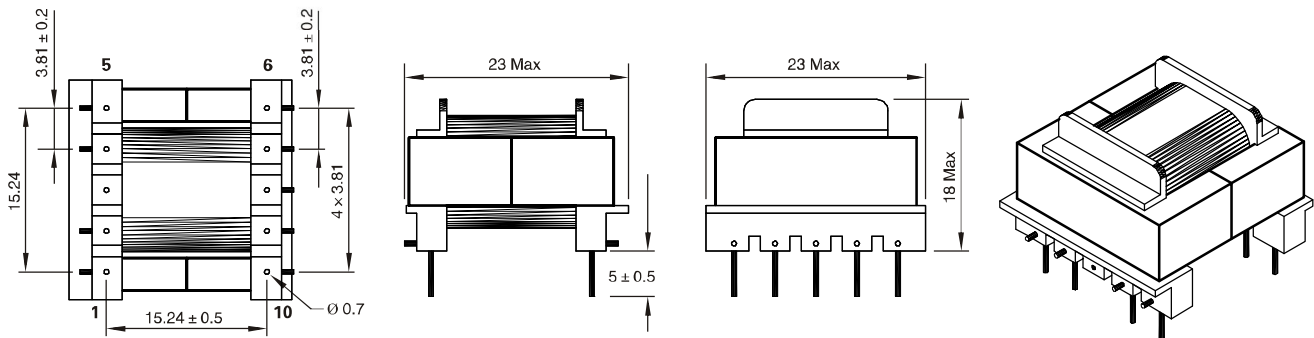
SIZE EF20 2 OUTPUTS : 5 /5v or 12/12v - FLYBACK TRANSFORMER							
Part Number	Output Power max	Windings					Inductance (+/-10%)
			Pins	Turns	Voltage	Current max	
T 74080	24 w	Pri	4-5	86	80-135 (VOR)	1.0 Apeak	1000 μ H
		Aux	2-1	12	11-8 Vdc	0.3 Adc	
		S1	6-7	10	9-5 Vdc	1.5 Adc	
		S2	9-10	10	9-15 Vdc	1.5 Adc	
T 74082	20 w	Pri	4-5	86	30-135 (VOR)	0.9 Apeak	1300 μ H
		Aux	2-1	12	7-18 Vdc	0.3 Adc	
		S1	6-7	5	3-7.5 Vdc	2.0 Adc	
		S2	9-10	5	3-7.5 Vdc	2.0 Adc	

Note: S1 and S2 can be connected in series or in parallel



Note: PIN 3 Removed, PCB Drilling Diameter = 1.2mm

PHYSICAL CHARACTERISTICS



Note: All dimensions in mm