

POWER FERRITE TRANSFORMERS

12-24W EF20 - 3 OUTPUT FLYBACK TRANSFORMERS

T 74081 SERIES

FEATURES:

- Primary / Secondary Insulation \geq 4000V
- Primary Auxiliary Insulation \geq 1500V
- Creepage distances Primary / secondary \geq 8mm

OPTIONS:

- Bulk packaging is standard
- Custom design available

COMMON APPLICATIONS:

- AC-DC converters
- DC-DC converters
- Switch Power supplies
- SMPS: Flyback, Forward and Push-pull
- SMPS: Half Bridge and Full Bridge

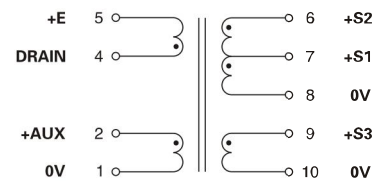
ELECTRICAL CHARACTERISTICS

Part No.	Control IC Manufacturer	Control IC P/N	Input voltage	Power	Frequency
T 74081	Power Integrations	TOP243P	185-265 Vrms	20 w	132 kHz
	Power Integrations	TOP243P	85-265 Vrms	13 w	132 kHz

TECHNICAL INFORMATION

- Ambient temperature $<$ 50°C
- Construction conforms to CEI 950, CEI 335, CEI 61558 for reinforced insulation
- Exclusively uses UL94-VO listed materials

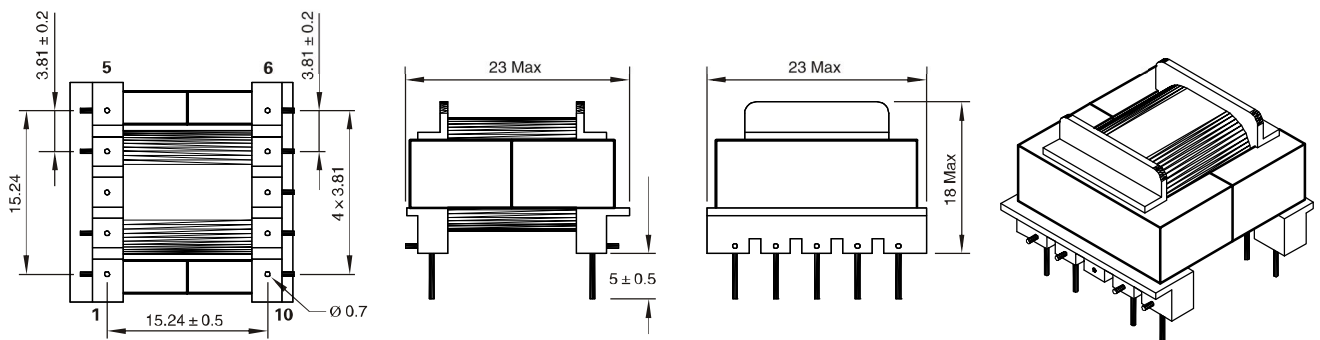
SIZE EF20 3 OUTPUTS : 5 /5v or 12/12v - FLYBACK TRANSFORMER							
Part Number	Output Power max	Windings					
			Pins	Turns	Voltage	Current max	Inductance (+/-10%)
T 74081	20 w	Pri	4-5	80	75 (VOR)	0.9 Apeak	1100 μ H
		Aux	2-1	17	15 Vdc	0.3 Adc	
		S1	7-8	4	3.3 Vdc	3 Adc	
		S2	6-8	6	5 Vdc	sum S1+S2	
		S3	9-10	14	12 Vdc	1.3 Adc	



T 74081

Note: PIN 3 Removed, PCB Drilling Diameter = 1.2mm

PHYSICAL CHARACTERISTICS



Note: All dimensions in mm