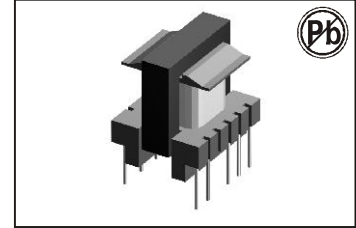


# POWER FERRITE TRANSFORMERS

## 6-12W E16 - 2 OUTPUT

## FLYBACK TRANSFORMERS

### T 74010 SERIES



#### FEATURES:

- Primary / Secondary Insulation  $\geq$  4000V
- Primary Auxiliary Insulation  $\geq$  1500V
- Creepage distances Primary / secondary  $\geq$  6mm

#### OPTIONS:

- Bulk packaging is standard
- Custom design available

#### COMMON APPLICATIONS:

- AC-DC converters
- DC-DC converters
- Switch Power supplies
- SMPS: Flyback, Forward and Push-pull
- SMPS: Half Bridge and Full Bridge

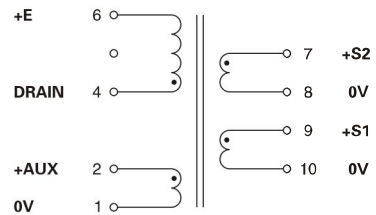
### ELECTRICAL CHARACTERISTICS

Control IC Manufacturer	Control IC P/N	Input voltage	Power	Frequency
Fairchild	KA5H0165RN	185 - 265 Vrms	10 w	100 kHz
Fairchild	KA5L0165R	85 - 265 Vrms	7 w	50 kHz
Infineon	TDA16831	92 - 265 Vrms	7.5 w	100 kHz
Infineon	TDA16831	185 - 265 Vrms	10 w	100 kHz
Motorola	MC33369	85 - 265 Vrms	8 w	100 kHz
Motorola	MC33369	185 - 265 Vrms	10 w	100 kHz
Power Integrations	TNY267	185 - 265 Vrms	12 w	132 kHz
Power Integrations	TOP242P	85 - 265 Vrms	10 w	132 kHz
Power Integrations	TOP242P	185 - 265 Vrms	12 w	132 kHz
Power Integrations	TOP242P	85 - 265 Vrms	10 w	132 kHz
ST Microelectronics	VIPer20	85 - 265 Vrms	8 w	70 kHz
ST Microelectronics	VIPer20	185 - 265 Vrms	10 w	70 kHz

### TECHNICAL INFORMATION

- Ambient temperature  $<$  50°C
- Construction conforms to CEI950, CEI335, CEI61558 for reinforced insulation
- Exclusively uses UL94-VO listed materials

T 74010

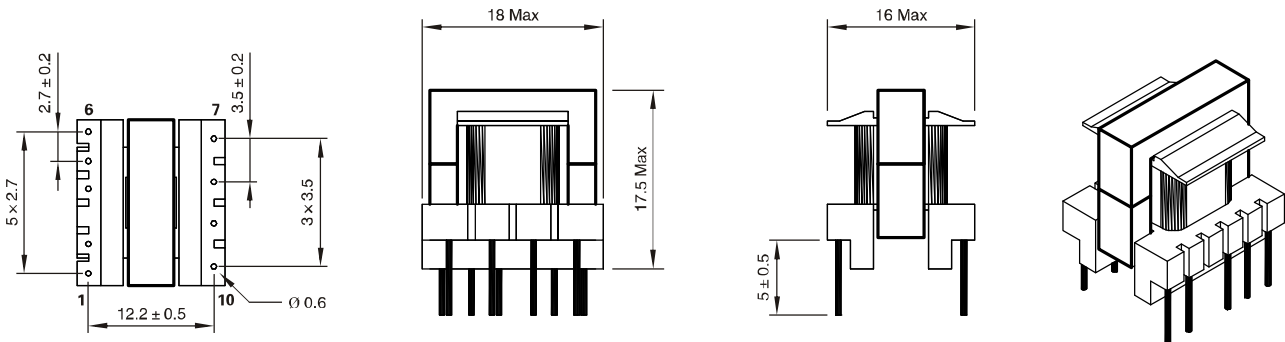


Note: PIN 3 Removed, PCB Drilling Diameter = 1.1mm

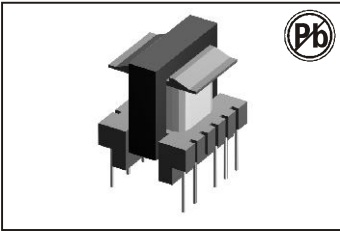
SIZE E16 - 2 OUTPUTS : 5 & 12V - FLYBACK TRANSFORMER						
Part Number	Output Power max	Windings				
			Pins	Turns	Voltage	Current max
T 74010	12 w	Pri	4-6	120	60-125 (VOR)	0.55 Apeak
		Aux	2-1	14	7-14 Vdc	0.1 Adc
		S1	9-10	7	3.3-7 Vdc	2 Adc
		S2	7-8	17	8-17 Vdc	1 Adc
						1660 $\mu$ H

Note: Regulation with auxiliary winding

### PHYSICAL CHARACTERISTICS



All dimensions in mm



# POWER FERRITE TRANSFORMERS

## 6-12W E16 - 2 OUTPUT FLYBACK TRANSFORMERS

### T 74014 SERIES

#### FEATURES:

- Primary / Secondary Insulation  $\geq$  4000V
- Primary Auxiliary Insulation  $\geq$  1500V
- Creepage distances Primary / secondary  $\geq$  6mm

#### OPTIONS:

- Bulk packaging is standard
- Custom design available

#### COMMON APPLICATIONS:

- AC-DC converters
- DC-DC converters
- Switch Power supplies
- SMPS: Flyback, Forward and Push-pull
- SMPS: Half Bridge and Full Bridge

### ELECTRICAL CHARACTERISTICS

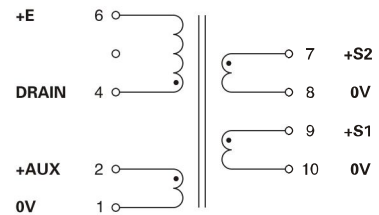
Control IC Manufacturer	Control IC P/N	Input voltage	Power	Frequency
Power Integrations	TNY266	185 – 265 Vrms	12 w	132 kHz
Power Integrations	TNY266	85 – 265 Vrms	8 w	132 kHz
Power Integrations	TNY242P	185 – 265 Vrms	12 w	132 kHz
Power Integrations	TNY242P	85 – 265 Vrms	8 w	132 kHz

### TECHNICAL INFORMATION

- Ambient temperature  $<$  50°C
- Construction conforms to CEI950, CEI335, CEI61558 for reinforced insulation
- Exclusively uses UL94-VO listed materials
- Typical outputs : + 24V 0.5A with S1 – S2 in parallel
- + 48V 0.25A with S1 – S2 in series (8-9 connected)
- +15V / -15V 0.4A with pins 8-9 connected to 0V

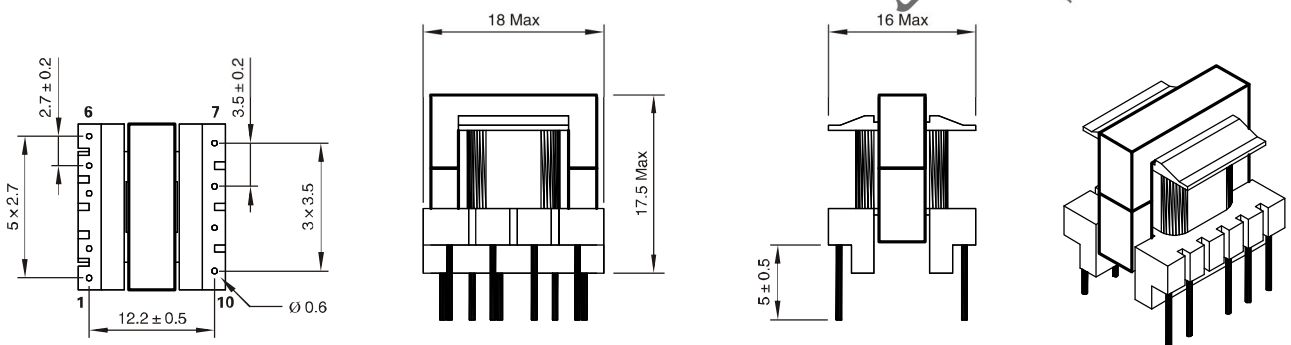
SIZE E16 - 2 OUTPUTS : 5 & 12V - FLYBACK TRANSFORMER							
Part Number	Output Power max	Windings					
			Pins	Turns	Voltage	Current max	Inductance (+/-10%)
T 74014	12 w	Pri	4-6	120	70-140 (VOR)	0.5 Apeak	
		Aux	2-1	14	9-18 Vdc	0.2 Adc	
		S1	9-10	27	15-30 Vdc	0.4 Adc	
		S2	7-8	27	15-30 Vdc	0.4 Adc	

Note: Regulation with auxiliary winding



Note: RIN 3 Removed, PCB Drilling Diameter = 1.1mm

### PHYSICAL CHARACTERISTICS



All dimensions in mm