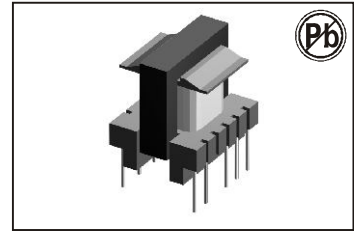


POWER FERRITE TRANSFORMERS

6-12W E16 - 3 OUTPUT

FLYBACK TRANSFORMERS

T 74015 SERIES



FEATURES:

- Primary / Secondary Insulation \geq 4000V
- Primary Auxiliary Insulation \geq 1500V
- Creepage distances Primary / secondary \geq 6mm

OPTIONS:

- Bulk packaging is standard
- Custom design available

COMMON APPLICATIONS:

- AC-DC converters
- DC-DC converters
- Switch Power supplies
- SMPS: Flyback, Forward and Push-pull
- SMPS: Half Bridge and Full Bridge

ELECTRICAL CHARACTERISTICS

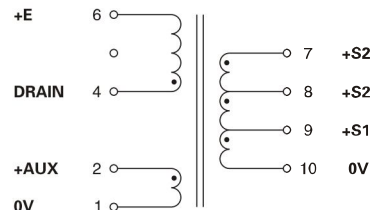
Control IC Manufacturer	Control IC P/N	Input voltage	Power	Frequency
Power Integrations	TNY266	185 - 265 Vrms	10 w	132 kHz
Power Integrations	TNY266	85 - 265 Vrms	6 w	132 kHz
Power Integrations	TOP242P	185 - 265 Vrms	12 w	132 kHz
Power Integrations	TOP242P	85 - 265 Vrms	9 w	132 kHz

TECHNICAL INFORMATION

- Ambient temperature $<$ 50°C
- Construction conforms to CEI950, CEI335, CEI61558 for reinforced insulation
- Exclusively uses UL94-VO listed materials

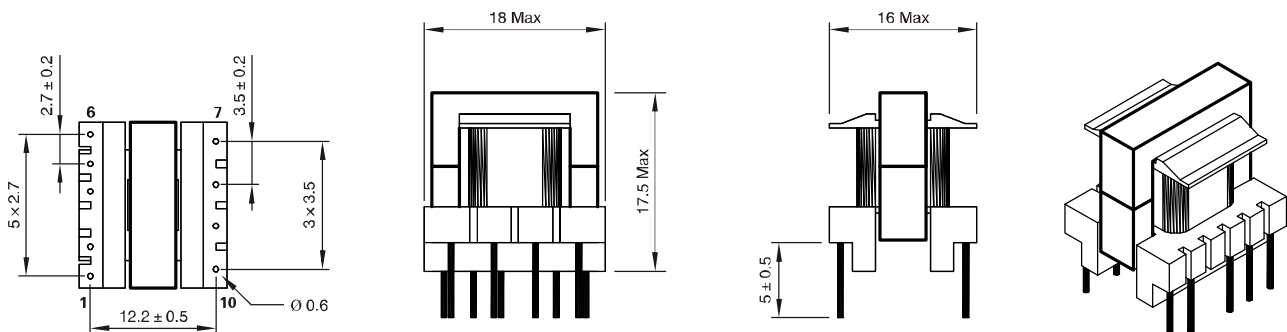
SIZE E16 - 2 OUTPUTS : 5 & 12V - FLYBACK TRANSFORMER							
Part Number	Output Power max	Windings					Inductance (+/-10%)
			Pins	Turns	Voltage	Current max	
T 74015	12 w	Pri	4-6	120	110 (VOR)	0.5 Apeak	1800 μ H
		Aux	2-1	14	12 Vdc	0.2 Adc	
		S1	9-10	6	5 Vdc	1.5 Adc	
		S2	8-10	17	15 Vdc	0.6 Adc	
		S3	7-10	27	24 Vdc	0.4 Adc	

Note: Regulation with auxiliary winding



Note: PIN 3 Removed, PCB Drilling Diameter = 1.1mm

PHYSICAL CHARACTERISTICS



All dimensions in mm