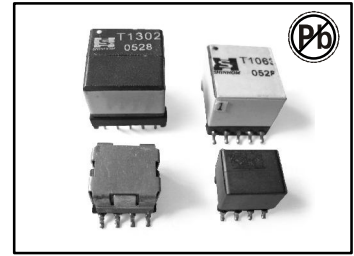


# TELECOM TRANSFORMERS

## EP SERIES



### FEATURES:

Low inductance  
 Low total harmonic distortion (THD)  
 Compact size and Surface-mounted  
 Designed to meet UL, CSA,  
 VDE, BABT safety standard

### OPTIONS:

- Tape and reel is standard
- Bulk packaging available for smaller quantities
- Custom design available
- Tolerance: 5% is standard, Tighter tolerance available

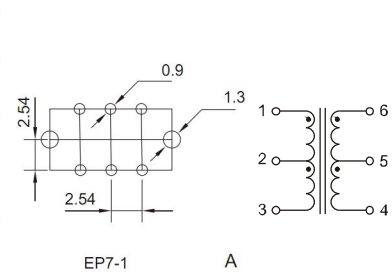
### COMMON APPLICATIONS:

Modem  
 Fax machine, Hub  
 ISDN, ADSL, HDSL, PABX  
 Other telecommunication facilities etc  
 Switching power supplies  
 AC-DC, DC-DC converters

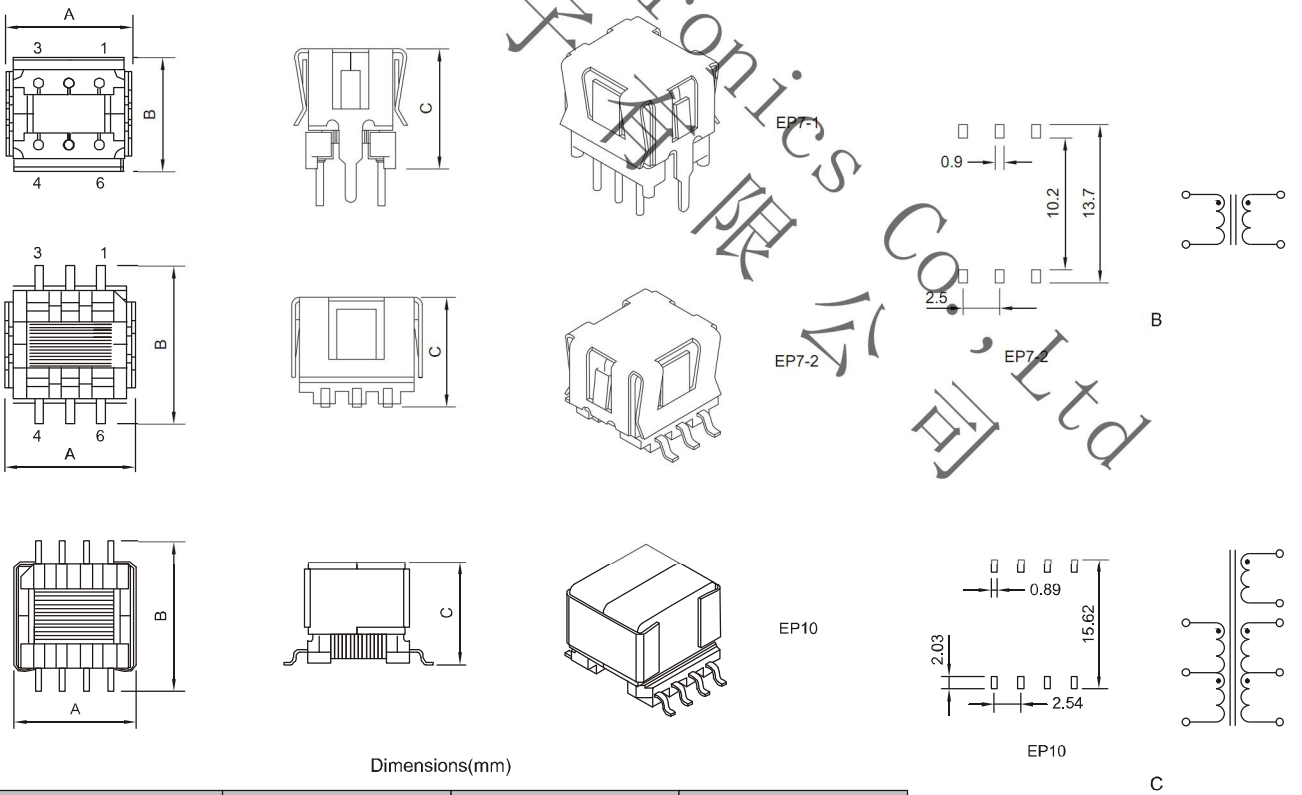
## ELECTRICAL CHARACTERISTICS

Part No.	Inductance (10kHz/0.1V Typ)	Cs (max)	Turn Ratio	DCR( max)	THD (max)	Hi-pot (Pri-Sec)	Schematic
EP7-1	2.0mH min (1-3)	27pF (pri-sec)	1.66:1(1-3:6-4)	0.8:0.7(1-3:6-4)		1250VAC	A
EP7-2	530 H 6% (6-4)	27pF (pri-sec)	1.66:1(1-3:6-4)	2.1:2.1(1-3:6-4)	-54dB	1250VAC	B
EP10	1.75mH min (8-2)	100pF (pri-sec)	1:0.653:0.184 (8-2:6-7:3-5)	0.9:0.58:0.09 (8-2:6-7:3-5)		500VDC	C

## TECHNICAL INFORMATION

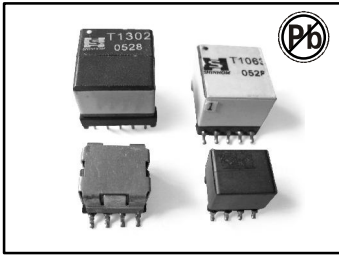


## PHYSICAL CHARACTERISTICS



Part No.	EP7-1	EP7-2	EP10
A	11.2max	11.2max	13.8max
B	9.9max	13.7max	15.2max
C	10.2max	9.5max	11.6max

Note: All Dimensions in mm



## TELECOM TRANSFORMERS FAEP SERIES

### FEATURES:

Low inductance  
Low total harmonic distortion (THD)  
Compact size and Surface-mounted  
Designed to meet UL, CSA,  
VDE, BABT safety standard

### OPTIONS:

- Tape and reel is standard
- Bulk packaging available for Smaller quantities
- Custom design available
- Tolerance: 5% is standard, Tighter tolerance available

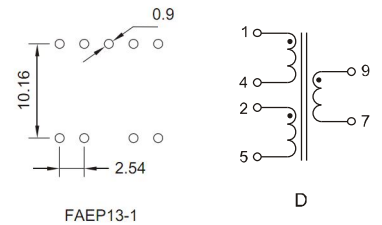
### COMMON APPLICATIONS:

Modem  
Fax machine, Hub  
ISDN, FAADSL, HDSL, PABX  
Other telecommunication facilities etc  
Switching power supplies  
AC-DC, DC-DC converters

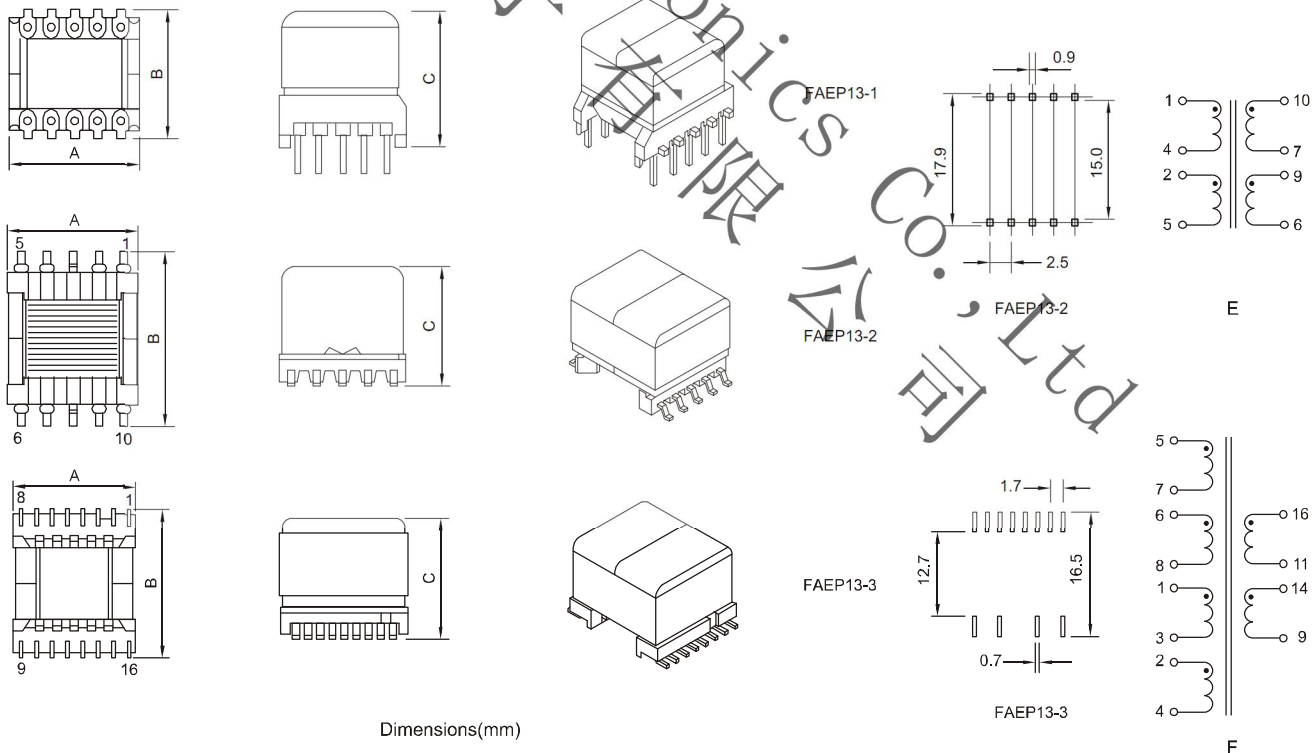
### ELECTRICAL CHARACTERISTICS

Part No.	Inductance (10kHz/0.1V Typ)	Cs (max)	Turn Ratio	DCR (max)	THD (max)	Hi-pot (Pri-Sec)	Schematic
FAEP13-1	2.0mH 10% (1-5 tie 2,4)		4:1(1-5:9:7 tie 2,4)	1.25:1.25:1.0 (1-4:2-5:9-7)	-72dB	2050VAC	D
FAEP13-2	410 H 6% (1-5 tie 2,4)		2:1 (1-5:10-6 tie 2+4,7+9)	0.48:0.23 (1-4:10-7)	-72dB	1875VAC	E
FAEP13-3	400 H 6% (16-9 tie 11,14)	21pF (pri-sec)	4.25:1 (16-9:5-8 tie 11+14,7+6)	0.49:0.28:0.96 (14-9:5-7:1-3)	-68dB	1875VAC	F

### TECHNICAL INFORMATION



### PHYSICAL CHARACTERISTICS



Dimensions(mm)

Part No.	FAEP13-1	FAEP13-2	FAEP13-3
A	14.2max	13.6max	14.0max
B	14.2max	17.9max	16.4max
C	13.0max	12.4max	12.6max

Note: All Dimensions in mm