

SURFACE MOUNT LINE MATCHING TRANSFORMERS LP-5001 SERIES

FEATURES:

Subminiature in FAT
7.36mm seated height
Tested at 4600 Vrms, 1minute
Distortion of only 0.015%
Vacuum encapsulated
UL60950 certified
RoHS compliant

OPTIONS:

Tape and reel is standard
(400 pcs. per reel)
Bulk packaging available for
FAaller quantities
Custom design available
Tolerance: 5% is standard,
Tighter tolerance available

COMMON APPLICATIONS:

Modems(V32)
Laptop Computer
Telecommunications
Instrumentation
PCMCIA

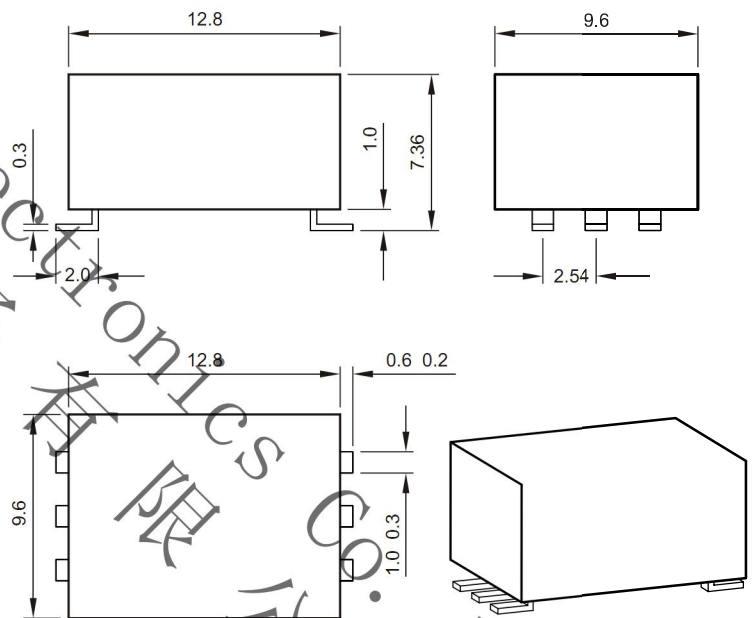
ELECTRICAL CHARACTERISTICS

Nominal Impedance:	600
Turns Ratio:	1:1
Insertion Loss:	2.0dB max. at 2kHz
Frequency Response:	0.25dB max. 200-4kHz
Return Loss:	24dB min. 200-4kHz
Balance:	80dB min.
Distortion:	-76dB max. @600Hz, -10dBm
Dielectric Strength:	4600 Vrms for 1 min.
Insulation Resistance:	100M @500V
DC Resistance	
Primary:	115 15%
Secondary:	115 15%
Shunt Inductance:	3.8H min.
Shunt:	7500 min.
Leakage Inductance:	6mH typ. @1kHz
Power Level:	10dBm
Operating Temperature:	-20 ~+85
Storage Temperature:	-40 ~+85
Terminal Plating Material:	AgSn

For use with recommended circuit
(BS6305 impedance Class A non-speech
or Class B speech)

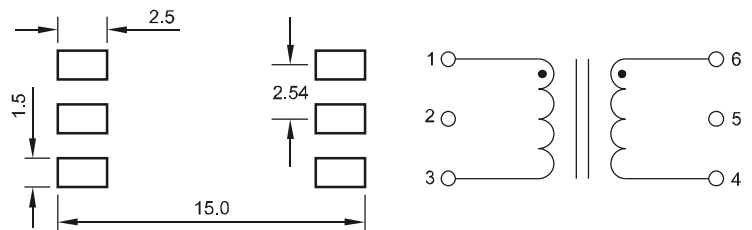
LP-5001 is symmetrical, meaning
there is no real primary nor secondary winding.

PHYSICAL CHARACTERISTICS



Note: All Dimensions in mm

TECHNICAL INFORMATION



Suggested PCB Layout

Schematic

Note: All Dimensions in mm