

AC Leakage Current Transformers

CTZH1 Series

CTZH1 series leakage current transformer is specially designed for leakage current sampling for the online monitoring devices on the electric equipment. Leakage current normally is rated in mA level, and must be one turn through. This SPA series current transformer based on zero-flux principle, when in working state, it constantly stay in the theoretical "zero-flux" state, thus guarantee the maximum high precision of ratio error and phase error. The temperature, vibration and return loop, etc almost can not affect it.

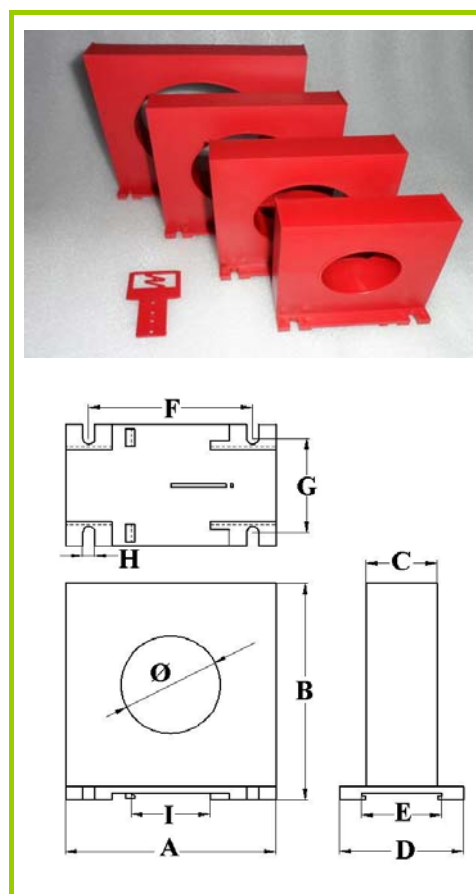
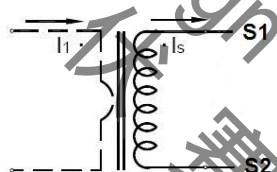
◆ Features

- No power supply, one turn through hole structure, fine stability;
- Adopt hipernik/permalloy, with fine linearity, high sensitivity;
- With special finishing treatment, fine stability, strong anti-interference ability, good for outdoor application.

◆ Applications

Suitable for earth lead current leakage and dielectric loss testing for high voltage electric equipment. Insulation online monitoring device, e.g CT, PT, CVT, main transformer, main core, various arresters, switches.

◆ Circuit connection diagram



◆ Technique Index

Electrical Parameter	
Frequency	50-400Hz
Rated Input	10mA-5A
Measuring range	10%In-130%In
Rated Output	0-1V(AC) or 0-0.25mA
Ratio	≤± 0.1%
Phase angle	≤ ±10 分
Dielectric strength	2.5KV/1mA/1min
Insulation Resistance	DC500V/100MΩ min

Mechanical Parameter	
Case	ABS /UL94-V0
Bobbin	PBT
Core	Permalloy or Nanocrystalline
Internal structure	Epoxy
Construction	Screws
Operating Temp	-25℃~+75℃
Operating Humidity	≤85%
Output Connection	Terminal

◆ Type Selection

Mfg P/N	Input (A)	Output (mA/V)	Accuracy	Dimensions (mm)									
				∅	A	B	C	D	E	F	G	H	I
CTZH1-45	0-1A	0-1V	0.1、0.2	45	96	100	32	56	36	74	43	5	35
CTZH1-65	0-1A	0-1V	0.1、0.2	65	115	120	32	56	36	88	43	5	35
CTZH1-80	0-1A	0-1V	0.1、0.2	80	130	135	32	56	36	109	43	5	35
CTZH1-100	0-1A	0-1V	0.1、0.2	100	150	155	32	56	36	129	43	5	35

AC Leakage Current Transformers

CTZH2 Series

CTZH2 series leakage current transformer is specially designed for leakage current sampling for the online monitoring devices on the electric equipment. Leakage current normally is rated in mA level, and must be one turn through. This SPA series current transformer based on zero-flux principle, when in working state, it constantly stay in the theoretical "zero-flux" state, thus guarantee the maximum high precision of ratio error and phase error. The temperature, vibration and return loop, etc almost can not affect it.

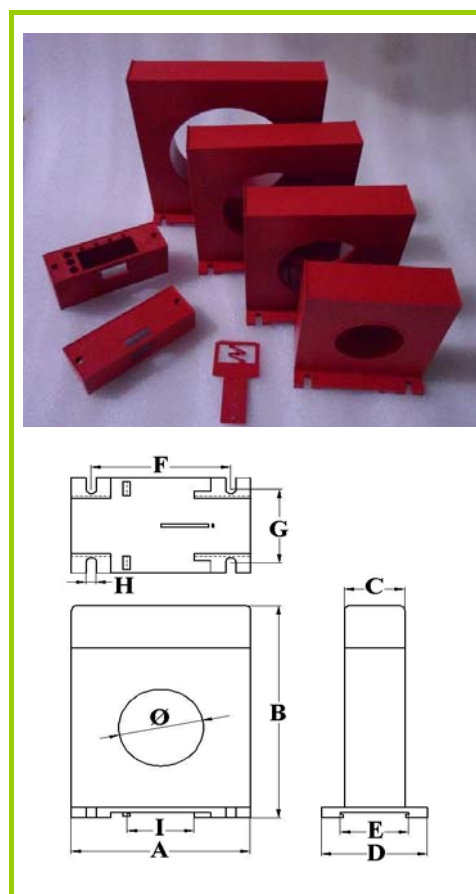
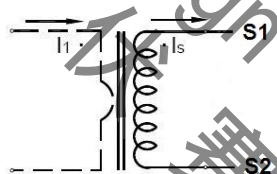
◆ Features

- No power supply, one turn through hole structure, fine stability;
- Adopt hipernik/permalloy, with fine linearity, high sensitivity;
- With special finishing treatment, fine stability, strong anti-interference ability, good for outdoor application.

◆ Applications

Suitable for earth lead current leakage and dielectric loss testing for high voltage electric equipment. Insulation online monitoring device, e.g CT, PT, CVT, main transformer, main core, various arresters, switches.

◆ Circuit connection diagram



◆ Technique Index

Electrical Parameter	
Frequency	50-400Hz
Rated Input	10mA-5A
Measuring range	10%I _n -130%I _n
Rated Output	0-1V(AC) or 0-0.25mA
Ratio	≤± 0.1%
Phase angle	≤ ±10 分
Dielectric strength	2.5KV/1mA/1min
Insulation Resistance	DC500V/100MΩ min

Mechanical Parameter	
Case	ABS /UL94-V0
Bobbin	PBT
Core	Permalloy or Nanocrystalline
Internal structure	Epoxy
Construction	Screws
Operating Temp	-25℃~+75℃
Operating Humidity	≤85%
Output Connection	Terminal

◆ Type Selection

Mfg P/N	Input (A)	Output (mA/V)	Accuracy	Dimensions (mm)									
				Ø	A	B	C	D	E	F	G	H	I
CTZH2-45	0-1A	0-1V	0.1、0.2	45	96	124	32	56	36	74	43	5	35
CTZH2-65	0-1A	0-1V	0.1、0.2	65	115	144	32	56	36	88	43	5	35
CTZH2-80	0-1A	0-1V	0.1、0.2	80	130	159	32	56	36	109	43	5	35
CTZH2-100	0-1A	0-1V	0.1、0.2	100	150	179	32	56	36	129	43	5	35