

## Clamp on Current Transformers

# SCTK691/2 Series

**SCTK691/2 series** retro-fit (Clamp-on) current transformer has been specially designed to facilitate their installation in new or already existing net works. They may be installed without opening any cable or bus-bar circuit. An internal precision resistor across the secondary winding of the CT provides a low safe voltage output. It can save time and the installation costs.

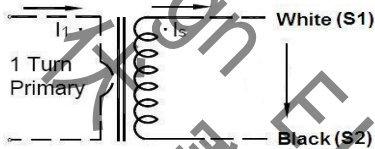
### ◆ Features

- Clamp on design, Fastening, safe, easy to install, portable
- Wide inner window, allowing clamping of big cables or bus-bars
- Wide range of sizes to accommodate all the existing installations

### ◆ Applications

- Current measurement, monitoring and protection for electrical wiring and equipment.
- Current and power measurement for electric motors, lighting, air compressor, heating and ventilation system, air-condition equipment and automation – control system.
- Current, power and energy monitoring device.
- Relay protection device.

### ◆ Circuit connection diagram



### ◆ Technique Index

Electrical Parameter	
Frequency	50-400Hz
Rated Input	5A-3000A
Measuring range	5%In-130%In
Rated Output	0-10V(AC) or 0-5A
Ratio	$\leq \pm 0.1\%$
Phase angle	$\leq \pm 10\text{min}$
Dielectric strength	3.0KV/1mA/1min
Insulation Resistance	DC500V/100MΩ min

Mechanical Parameter	
Case	ABS /UL94-V0
Bobbin	PBT
Core	Silicon steel / Permalloy
Internal structure	Screw
Construction	Screw
Operating Temp	$-25^{\circ}\text{C} \sim +75^{\circ}\text{C}$
Operating Humidity	$\leq 85\%$
Output Connection	UL1015 22AWG Wire(twinsted wire) 2.5m

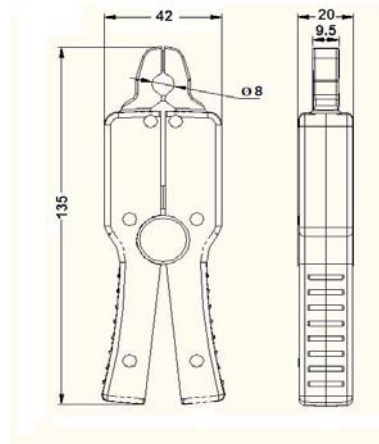
### ◆ Type Selection

Mfg P/N	Rated Input	Ratio	Accuracy	Dimensions(mm) (ID-L-W-H)
SCTK691A-008	0-20A	1000: 1	0.1、0.2、0.5	8.0-135.0-42.0-20.0
SCTK691A-013	0-100A			
SCTK691A-020	5-250A	2000: 1	0.1、0.2、0.5	20.0-137.0-46.0-25.0
SCTK691A-050	100-1200A	2500: 1	0.1、0.2、0.5	50.0-215.0-104.0-27.0
SCTK692A-085	100-1500A	4000: 1	0.1、0.2、0.5	82.0*52.0-272.0-116.0-37.0
SCTK692A-125	100-3000A			

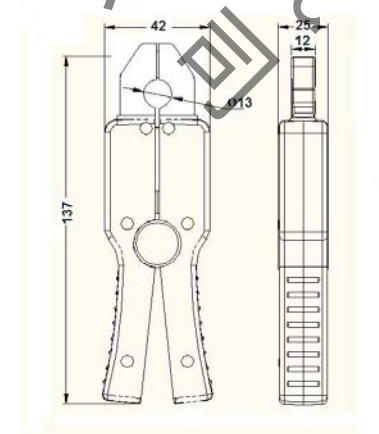
# SCTK691 Series

◆ Type Selection

Mfg P/N	Input	Output	Accuracy	Frequency	Voltage rank	Dielectric strength
SCTK691A-008	1A	1mA	0.1、0.2、0.5	50-400Hz	0.66KVac	3KV
	5A	2mA	0.1、0.2、0.5	50-400Hz		
	5A	2.5mA	0.1、0.2、0.5	50-400Hz		
	5A	5mA	0.1、0.2、0.5	50-400Hz		
	10A	4mA	0.1、0.2、0.5	50-400Hz		
	10A	5mA	0.1、0.2、0.5	50-400Hz		
	10A	10V	0.1、0.2、0.5	50-400Hz		



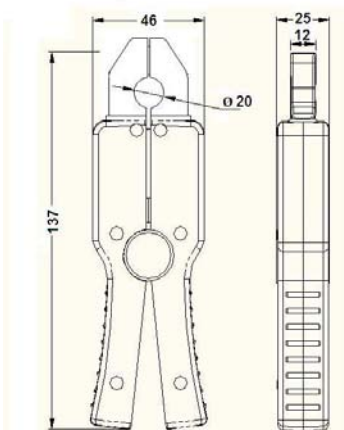
Mfg P/N	Input	Output	Accuracy	Frequency	Voltage rank	Dielectric strength
SCTK691A-013	10A	4mA	0.1、0.2、0.5	50-400Hz	0.66KVac	3KV
	20A	10mA	0.1、0.2、0.5	50-400Hz		
	30A	30mA	0.1、0.2、0.5	50-400Hz		
	50A	10mA	0.1、0.2、0.5	50-400Hz		
	50A	25mA	0.1、0.2、0.5	50-400Hz		
	100A	50mA	0.1、0.2、0.5	50-400Hz		
	100A	10V	0.1、0.2、0.5	50-400Hz		



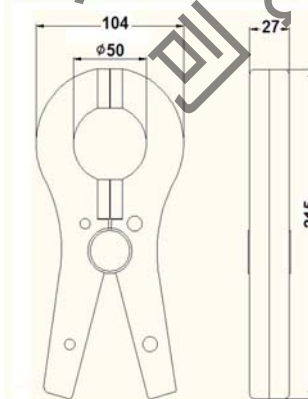
# SCTK691 Series

◆ Type Selection

Mfg P/N	Input	Output	Accuracy	Frequency	Voltage rank	Dielectric strength
SCTK691A-020	50A	50mA	0.1、0.2、0.5	50-400Hz	0.66KVac	3KV
	100A	50mA	0.1、0.2、0.5	50-400Hz		
	100A	100mA	0.1、0.2、0.5	50-400Hz		
	150A	100mA	0.1、0.2、0.5	50-400Hz		
	150A	50mA	0.1、0.2、0.5	50-400Hz		
	200A	100mA	0.1、0.2、0.5	50-400Hz		
	200A	200mA	0.1、0.2、0.5	50-400Hz		



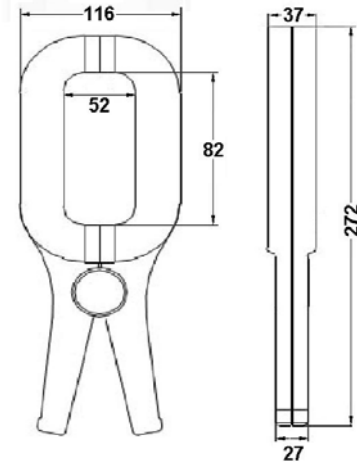
Mfg P/N	Input	Output	Accuracy	Frequency	Voltage rank	Dielectric strength
SCTK691A-050	100A	20mA	0.1、0.2、0.5	50-400Hz	0.66KVac	3KV
	200A	200mA	0.1、0.2、0.5	50-400Hz		
	500A	500mA	0.1、0.2、0.5	50-400Hz		
	800A	800mA	0.1、0.2、0.5	50-400Hz		
	1000A	800mA	0.1、0.2、0.5	50-400Hz		
	1200A	800mA	0.1、0.2、0.5	50-400Hz		
	200-1000A	1A/5A	0.1、0.2、0.5	50-400Hz		



# SCTK692 Series

◆ Type Selection

Mfg P/N	Input	Output	Accuracy	Frequency	Voltage rank	Dielectric strength
SCTK692A-085	100-1000A	50mA	0.1、0.2、0.5	50-400Hz	0.66KVac	3KV
	100-1000A	100mA	0.1、0.2、0.5	50-400Hz		
	250-1000A	150mA	0.1、0.2、0.5	50-400Hz		
	300-1000A	300mA	0.1、0.2、0.5	50-400Hz		
	500-1000A	500mA	0.1、0.2、0.5	50-400Hz		
	100-1200A	1A	0.1、0.2、0.5	50-400Hz		
	300-1200A	5A	0.1、0.2、0.5	50-400Hz		



Mfg P/N	Input	Output	Accuracy	Frequency	Voltage rank	Dielectric strength
SCTK692A-125	250-1000A	150mA	0.1、0.2、0.5	50-400Hz	0.66KVac	3KV
	300-1000A	300mA	0.1、0.2、0.5	50-400Hz		
	500-1500A	500mA	0.1、0.2、0.5	50-400Hz		
	600-1200A	600mA	0.1、0.2、0.5	50-400Hz		
	1000-3000A	500mA	0.1、0.2、0.5	50-400Hz		
	1000-3000A	1A	0.1、0.2、0.5	50-400Hz		
	1000-3000A	5A	0.1、0.2、0.5	50-400Hz		

