

Split Core Current Transformers

SCTK662 Series

SCTK662 series retro-fit (split-core) current transformer has been specially designed to facilitate their installation in new or already existing net works. They may be installed without opening any cable or bus-bar circuit. An internal precision resistor across the secondary winding of the CT provides a low safe voltage output. It can save time and the installation costs.

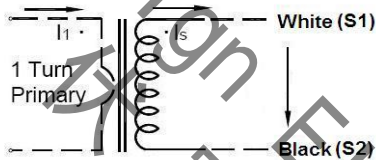
◆ Features

- Epoxy Potting, Double-screw fastening, safe, easy to install, portable
- Wide inner window, allowing clamping of big cables or bus-bars
- Wide range of sizes to accommodate all the existing installations

◆ Applications

- Current measurement, monitoring and protection for electrical wiring and equipment.
- Current and power measurement for electric motors, lighting, air compressor, heating and ventilation system, air-condition equipment and automation – control system.
- Current, power and energy monitoring device.
- Relay protection device.

◆ Circuit connection diagram



◆ Technique Index

Electrical Parameter	
Frequency	50-400Hz
Rated Input	5A-3000A
Measuring range	5%In-130%In
Rated Output	0-10V(AC) or 0-5A
Ratio	≤ ± 0.2%
Phase angle	≤ ±10min
Dielectric strength	2.5KV/1mA/1min
Insulation Resistance	DC500V/100MΩ min


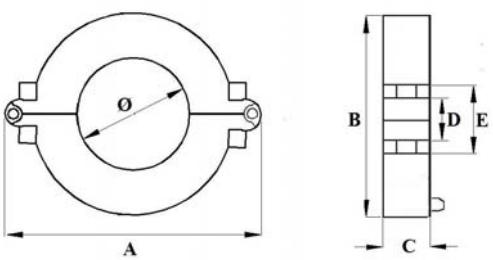
Mechanical Parameter	
Case	PC /UL94-V0
Bobbin	PBT
Core	Silicon steel
Internal structure	Epoxy
Construction	Tie
Operating Temp	25℃~+75℃
Operating Humidity	≤85%
Output Connection	UL1015 22AWG Wire(twinsted wire) 2.5m

◆ Type Selection (Output: mA/V)

Mfg P/N	Rated Input (A)	Output (mA/V)	Accuracy	Dimensions(mm/inch)					
				Ø	A	B	C	D	E
SCTK662A-025	5-400A (5, 100, 250, 400A)	0-200mA 0-10V	0.2, 0.5, 1.0	25	98	70	22	16	30
				(1.00)	(3.86)	(2.76)	(0.87)	(0.63)	(1.18)
SCTK662B-045	50-1000A (50, 250, 400, 1000A)	0-500mA 0-10V	0.2, 0.5, 1.0	45	128	98	26	16	32
				(1.77)	(5.04)	(3.86)	(1.02)	(0.63)	(1.26)
SCTK662C-065	100-1500A (100, 800, 1000, 1500A)	0-500mA 0-10V	0.2, 0.5, 1.0	65	148	118	26	16	34
				(2.56)	(5.83)	(4.65)	(1.02)	(0.63)	(1.34)
SCTK662D-080	500-2000A (500, 1000, 1500, 2000A)	0-500mA 0-10V	0.2, 0.5, 1.0	80	164	132	28	16	36
				(3.15)	(6.46)	(5.20)	(1.10)	(0.63)	(1.42)
SCTK662E-100	800-3000A (800, 1000, 2500, 3000A)	0-600mA 0-10V	0.2, 0.5, 1.0	100	194	162	30	16	38
				(3.94)	(7.64)	(6.38)	(1.18)	(0.63)	(1.50)


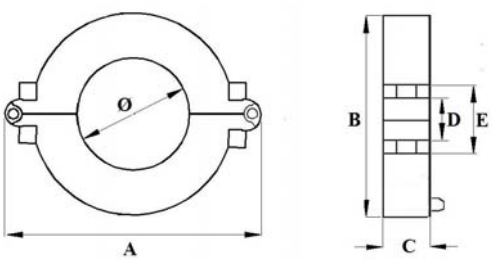
SCTK662 Series

◆ Type Selection (Output: 1A)

Mfg P/N	Input/Output (A)	Burden(VA)/Class				Product Description																																																																								
		0.2	0.5	1.0	3.0																																																																									
SCTK662A-025	50/1	---	---	1.5	2.5																																																																									
	100/1	---	1.5	2.5	3.75																																																																									
	150/1	---	1.5	2.5	3.75																																																																									
	200/1	---	2.5	3.75	5																																																																									
	250/1	---	1.5	3.75	5																																																																									
	300/1	---	2.5	5	10																																																																									
	400/1	1.5	2.5	5	10																																																																									
SCTK662B-045	50/1	---	---	1.5	2.5																																																																									
	100/1	---	1.5	2.5	3.75																																																																									
	250/1	---	2.5	3.75	5																																																																									
	500/1	---	1.5	3.75	5																																																																									
	600/1	1.5	3.75	7.5	10																																																																									
	800/1	1.5	3.75	7.5	10																																																																									
	1000/1	2.5	5	10	15																																																																									
SCTK662C-065	100/1	---	1.5	2.5	3.75	<p>Dimensions(mm/inch)</p> <table border="1"> <thead> <tr> <th>Type</th> <th>Ø</th> <th>A</th> <th>B</th> <th>C</th> <th>D</th> <th>E</th> </tr> </thead> <tbody> <tr> <td rowspan="2">662A</td> <td>25</td> <td>98</td> <td>70</td> <td>22</td> <td>16</td> <td>30</td> </tr> <tr> <td>(1.00)</td> <td>(3.86)</td> <td>(2.76)</td> <td>(0.87)</td> <td>(0.63)</td> <td>(1.18)</td> </tr> <tr> <td rowspan="2">662B</td> <td>45</td> <td>128</td> <td>98</td> <td>26</td> <td>16</td> <td>32</td> </tr> <tr> <td>(1.77)</td> <td>(5.04)</td> <td>(3.86)</td> <td>(1.02)</td> <td>(0.63)</td> <td>(1.26)</td> </tr> <tr> <td rowspan="2">662C</td> <td>65</td> <td>148</td> <td>118</td> <td>26</td> <td>16</td> <td>34</td> </tr> <tr> <td>(2.56)</td> <td>(5.83)</td> <td>(4.65)</td> <td>(1.02)</td> <td>(0.63)</td> <td>(1.34)</td> </tr> <tr> <td rowspan="2">662D</td> <td>80</td> <td>164</td> <td>132</td> <td>28</td> <td>16</td> <td>36</td> </tr> <tr> <td>(3.15)</td> <td>(6.46)</td> <td>(5.20)</td> <td>(1.10)</td> <td>(0.63)</td> <td>(1.42)</td> </tr> <tr> <td>662E</td> <td>100</td> <td>194</td> <td>162</td> <td>30</td> <td>16</td> <td>38</td> </tr> <tr> <td>(3.94)</td> <td>(7.64)</td> <td>(6.38)</td> <td>(1.18)</td> <td>(0.63)</td> <td>(1.50)</td> </tr> </tbody> </table>	Type	Ø	A	B	C	D	E	662A	25	98	70	22	16	30	(1.00)	(3.86)	(2.76)	(0.87)	(0.63)	(1.18)	662B	45	128	98	26	16	32	(1.77)	(5.04)	(3.86)	(1.02)	(0.63)	(1.26)	662C	65	148	118	26	16	34	(2.56)	(5.83)	(4.65)	(1.02)	(0.63)	(1.34)	662D	80	164	132	28	16	36	(3.15)	(6.46)	(5.20)	(1.10)	(0.63)	(1.42)	662E	100	194	162	30	16	38	(3.94)	(7.64)	(6.38)	(1.18)	(0.63)	(1.50)
	Type	Ø	A	B	C		D	E																																																																						
	662A	25	98	70	22		16	30																																																																						
		(1.00)	(3.86)	(2.76)	(0.87)		(0.63)	(1.18)																																																																						
	662B	45	128	98	26		16	32																																																																						
		(1.77)	(5.04)	(3.86)	(1.02)		(0.63)	(1.26)																																																																						
	662C	65	148	118	26		16	34																																																																						
(2.56)		(5.83)	(4.65)	(1.02)	(0.63)	(1.34)																																																																								
662D	80	164	132	28	16	36																																																																								
	(3.15)	(6.46)	(5.20)	(1.10)	(0.63)	(1.42)																																																																								
662E	100	194	162	30	16	38																																																																								
(3.94)	(7.64)	(6.38)	(1.18)	(0.63)	(1.50)																																																																									
250/1	---	2.5	3.75	5																																																																										
400/1	---	1.5	3.75	5																																																																										
600/1	1.5	3.75	7.5	10																																																																										
800/1	1.5	3.75	7.5	10																																																																										
1000/1	2.5	5	10	15																																																																										
1500/1	2.5	5	10	20																																																																										
SCTK662D-080	100/1	---	1.5	2.5	3.75	<p>NOTE:</p> <ul style="list-style-type: none"> ● Rated Primary current :0-3000Aac ● Rated Secondary current: 1A ● Rated load: 2.5, 3.75, 5.0, 10,15, 20,30, 45VA ● Accuracy: 0.2, 0.5, 1.0, 3.0 Class ● Output Connection:2*2.5mm² Wire 1m or Terminal ● Forbidden to open the second, otherwise, easy to produce high voltage 																																																																								
	500/1	---	1.5	3.75	5																																																																									
	800/1	1.5	2.5	5	7.5																																																																									
	1000/1	2.5	5	10	15																																																																									
	1200/1	2.5	5	10	15																																																																									
	1500/1	2.5	5	10	20																																																																									
	2000/1	2.5	5	15	25																																																																									
SCTK662E-100	200/1	---	1.5	2.5	3.75																																																																									
	500/1	---	1.5	3.75	5																																																																									
	800/1	1.5	2.5	5	7.5																																																																									
	1000/1	2.5	5	10	15																																																																									
	1200/1	2.5	5	10	15																																																																									
	1500/1	2.5	5	10	20																																																																									
	2000/1	2.5	5	15	25																																																																									
2500/1	5	10	15	30																																																																										
3000/1	5	10	20	45																																																																										

SCTK662 Series

◆ Type Selection (Output: 5A)

Mfg P/N	Input/Output (A)	Burden(VA)/Class				Product Description																																																																								
		0.2	0.5	1.0	3.0																																																																									
SCTK662A-025	50/5	---	---	---	1.5																																																																									
	100/5	---	---	---	2.5																																																																									
	150/5	---	---	1.5	2.5																																																																									
	200/5	---	---	1.5	3.75																																																																									
	250/5	---	---	2.5	3.75																																																																									
	300/5	---	1.5	2.5	3.75																																																																									
	400/5	---	1.5	2.5	3.75																																																																									
SCTK662B-045	250/5	---	---	2.5	3.75																																																																									
	300/5	---	1.5	2.5	3.75																																																																									
	400/5	---	1.5	2.5	3.75																																																																									
	500/5	---	1.5	5	10																																																																									
	600/5	---	2.5	5	10																																																																									
	800/5	---	3.75	7.5	10																																																																									
	1000/5	1.5	5	10	15																																																																									
SCTK662C-065	300/5	---	1.5	2.5	3.75	<p>Dimensions(mm/inch)</p> <table border="1"> <thead> <tr> <th>Type</th> <th>Ø</th> <th>A</th> <th>B</th> <th>C</th> <th>D</th> <th>E</th> </tr> </thead> <tbody> <tr> <td rowspan="2">662A</td> <td>25</td> <td>98</td> <td>70</td> <td>22</td> <td>16</td> <td>30</td> </tr> <tr> <td>(1.00)</td> <td>(3.86)</td> <td>(2.76)</td> <td>(0.87)</td> <td>(0.63)</td> <td>(1.18)</td> </tr> <tr> <td rowspan="2">662B</td> <td>45</td> <td>128</td> <td>98</td> <td>26</td> <td>16</td> <td>32</td> </tr> <tr> <td>(1.77)</td> <td>(5.04)</td> <td>(3.86)</td> <td>(1.02)</td> <td>(0.63)</td> <td>(1.26)</td> </tr> <tr> <td rowspan="2">662C</td> <td>65</td> <td>148</td> <td>118</td> <td>26</td> <td>16</td> <td>34</td> </tr> <tr> <td>(2.56)</td> <td>(5.83)</td> <td>(4.65)</td> <td>(1.02)</td> <td>(0.63)</td> <td>(1.34)</td> </tr> <tr> <td rowspan="2">662D</td> <td>80</td> <td>164</td> <td>132</td> <td>28</td> <td>16</td> <td>36</td> </tr> <tr> <td>(3.15)</td> <td>(6.46)</td> <td>(5.20)</td> <td>(1.10)</td> <td>(0.63)</td> <td>(1.42)</td> </tr> <tr> <td>662E</td> <td>100</td> <td>194</td> <td>162</td> <td>30</td> <td>16</td> <td>38</td> </tr> <tr> <td>(3.94)</td> <td>(7.64)</td> <td>(6.38)</td> <td>(1.18)</td> <td>(0.63)</td> <td>(1.50)</td> </tr> </tbody> </table>	Type	Ø	A	B	C	D	E	662A	25	98	70	22	16	30	(1.00)	(3.86)	(2.76)	(0.87)	(0.63)	(1.18)	662B	45	128	98	26	16	32	(1.77)	(5.04)	(3.86)	(1.02)	(0.63)	(1.26)	662C	65	148	118	26	16	34	(2.56)	(5.83)	(4.65)	(1.02)	(0.63)	(1.34)	662D	80	164	132	28	16	36	(3.15)	(6.46)	(5.20)	(1.10)	(0.63)	(1.42)	662E	100	194	162	30	16	38	(3.94)	(7.64)	(6.38)	(1.18)	(0.63)	(1.50)
	Type	Ø	A	B	C		D	E																																																																						
	662A	25	98	70	22		16	30																																																																						
		(1.00)	(3.86)	(2.76)	(0.87)		(0.63)	(1.18)																																																																						
	662B	45	128	98	26		16	32																																																																						
		(1.77)	(5.04)	(3.86)	(1.02)		(0.63)	(1.26)																																																																						
	662C	65	148	118	26		16	34																																																																						
(2.56)		(5.83)	(4.65)	(1.02)	(0.63)	(1.34)																																																																								
662D	80	164	132	28	16	36																																																																								
	(3.15)	(6.46)	(5.20)	(1.10)	(0.63)	(1.42)																																																																								
662E	100	194	162	30	16	38																																																																								
(3.94)	(7.64)	(6.38)	(1.18)	(0.63)	(1.50)																																																																									
400/5	---	2.5	3.75	5																																																																										
500/5	---	1.5	3.75	5																																																																										
600/5	---	2.5	5	10																																																																										
800/5	---	3.75	5	10																																																																										
1000/5	1.5	5	10	15																																																																										
1500/5	2.5	5	10	20																																																																										
SCTK662D-080	500/5	---	1.5	2.5	3.75																																																																									
	600/5	---	2.5	5	10																																																																									
	800/5	---	3.75	5	10																																																																									
	1000/5	1.5	5	10	15																																																																									
	1200/5	2.5	5	15	15																																																																									
	1500/5	2.5	5	10	20																																																																									
	2000/5	2.5	5	15	25																																																																									
	SCTK662E-100	500/5	---	1.5	2.5	3.75																																																																								
600/5		---	1.5	3.75	5																																																																									
800/5		---	2.5	5	7.5																																																																									
1000/5		2.5	5	10	15																																																																									
1200/5		2.5	5	10	15																																																																									
1500/5		2.5	5	10	20																																																																									
2000/5		2.5	5	15	25																																																																									
2500/5		5	10	15	30																																																																									
3000/5	5	10	20	45																																																																										

- NOTE:
- Rated Primary current :0-3000Aac
 - Rated Secondary current: 5A
 - Rated load: 2.5, 3.75, 5.0, 10,15, 20,30, 45VA
 - Accuracy: 0.2, 0.5, 1.0, 3.0 Class
 - Output Connection:2*2.5mm² Wire 1m or Terminal
 - Forbidden to open the second, otherwise, easy to produce high voltage