

AC Leakage Current Transformers

SPA366-W Series

SPA366-W series leakage current transformer is specially designed for leakage current sampling for the online monitoring devices on the electric equipment. Leakage current normally is rated in mA level, and must be one turn through. This SPA series current transformer based on zero-flux principle, when in working state, it constantly stay in the theoretical "zero-flux" state, thus guarantee the maximum high precision of ratio error and phase error. The temperature, vibration and return loop, etc almost can not affect it.

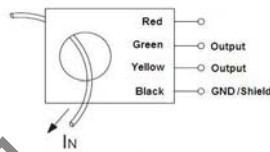
◆ Features

- No power supply, one turn through hole structure, fine stability;
- Adopt hipernik/permalloy, with fine linearity, high sensitivity;
- Metal case, with special finishing treatment, fine stability, strong anti-interference ability, good for outdoor application.

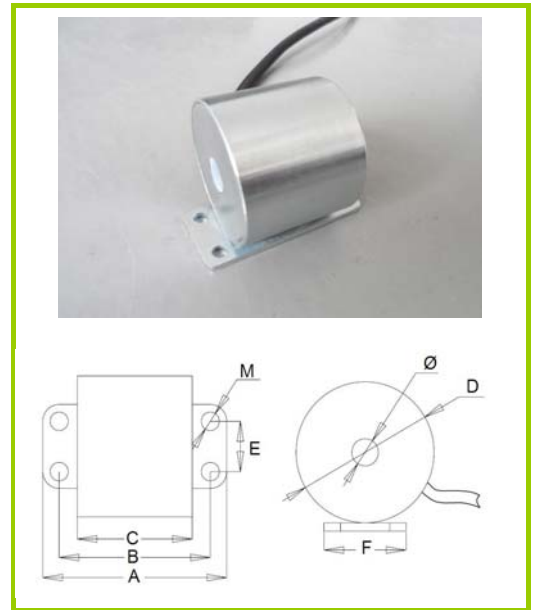
◆ Applications

Suitable for earth lead current leakage and dielectric loss testing for high voltage electric equipment. Insulation online monitoring device, e.g CT, PT, CVT, main transformer, main core, various arresters, switches.

◆ Circuit connection diagram



◆ Technique Index



Electrical Parameter	
Frequency	50-60Hz
Rated Input	10mA、20mA、30mA
Measuring range	10uA-700mA(AC)
Rated Output	0-10V(AC)
Ratio	±0.1%
Phase angle	±1min

Mechanical Parameter	
Hole diameter	8、12、25、30、45、60、70mm
Construction	Screw
Power supply voltage	±12V or ±15V
Operating temperature	-25℃ ~ +75℃
Operating Humidity	≤85%
Output Connection	4*0.3mm ² Shielded cable 30 cm

◆ Type Selection

Mfg P/N	Rated Input	Ratio	Accuracy	Dimensions (mm)							
				Ø	A	B	C	D	E	F	M
SPA366-Y-008	0-100mA	1:1000	0.02	8.0	56.0	46.0	36.0	42.0	15.0	25.0	4.5
		1:2000	0.05								
SPA366-Y-012	0-100mA	1:1000	0.02	12.5	63.0	53.0	40.0	50.0	15.0	25.0	4.5
		1:2000	0.05								
SPA366-Y-025	0-100mA	1:1000	0.02	25.5	72.0	58.0	45.0	65.0	30.0	44.0	6.5
		1:2000	0.05								
SPA366-Y-030	0-100mA	1:1000	0.02	35.5	77.0	63.0	50.0	75.0	30.0	44.0	6.5
		1:2000	0.05								
SPA366-Y-045	0-500mA	1:1000	0.02	45.0	82.0	68.0	55.0	85.0	30.0	44.0	8.5
		1:2000	0.05								
SPA366-Y-060	0-500mA	1:1000	0.02	60.0	87.0	73.0	60.0	100.0	40.0	54.0	8.5
		1:2000	0.05								
SPA366-Y-070	0-500mA	1:1000	0.02	70.0	87.0	73.0	60.0	110.0	40.0	54.0	8.5
		1:2000	0.05								

AC Leakage Sensors

SPA366-Y Series

SPA366-Y series leakage Sensors is specially designed for leakage current sampling for the online monitoring devices on the electric equipment. Leakage current normally is rated in mA level, and must be one turn through. This SPA series sensors based on zero-flux principle, when in working state, it constantly stay in the theoretical "zero-flux" state, thus guarantee the maximum high precision of ratio error and phase error. The temperature, vibration and return loop, etc almost can not affect it.

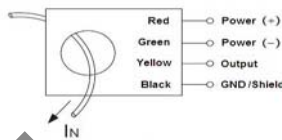
◆ Features

- With power supply, one turn through hole structure, fine stability;
- Adopt hipernik/permalloy, with fine linearity, high sensitivity;
- Metal case, with special finishing treatment, fine stability, strong anti-interference ability, good for outdoor application.

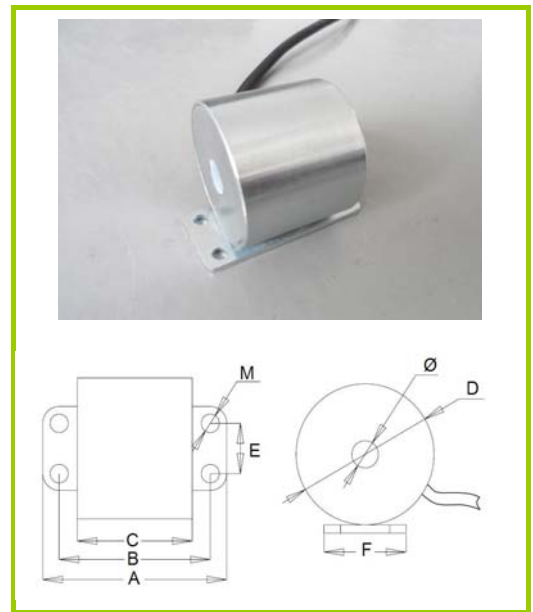
◆ Applications

Suitable for earth lead current leakage and dielectric loss testing for high voltage electric equipment. Insulation online monitoring device, e.g CT, PT, CVT, main transformer, main core, various arresters, switches.

◆ Circuit connection diagram



◆ Technique Index



Electrical Parameter	
Frequency	50-60Hz
Rated Input	10mA、20mA、30mA
Measuring range	10uA-700mA(AC)
Rated Output	0-10V(AC)
Ratio	±0.1%
Phase angle	±1min

Mechanical Parameter	
Hole diameter	8、12、25、30、45、60、70mm
Construction	Screw
Power supply voltage	±12V or ±15V
Operating temperature	-25℃ ~ +75℃
Operating Humidity	≤85%
Output Connection	4*0.3mm ² Shielded cable 30 cm

◆ Type Selection

Mfg P/N	Rated Input	Ratio	Accuracy	Dimensions (mm)							
				Ø	A	B	C	D	E	F	M
SPA366-Y-008	0-100mA	1:1000	0.02	8.0	56.0	46.0	36.0	42.0	15.0	25.0	4.5
		1:2000	0.05								
SPA366-Y-012	0-100mA	1:1000	0.02	12.5	63.0	53.0	40.0	50.0	15.0	25.0	4.5
		1:2000	0.05								
SPA366-Y-025	0-100mA	1:1000	0.02	25.5	72.0	58.0	45.0	65.0	30.0	44.0	6.5
		1:2000	0.05								
SPA366-Y-030	0-100mA	1:1000	0.02	35.5	77.0	63.0	50.0	75.0	30.0	44.0	6.5
		1:2000	0.05								
SPA366-Y-045	0-500mA	1:1000	0.02	45.0	82.0	68.0	55.0	85.0	30.0	44.0	8.5
		1:2000	0.05								
SPA366-Y-060	0-500mA	1:1000	0.02	60.0	87.0	73.0	60.0	100.0	40.0	54.0	8.5
		1:2000	0.05								
SPA366-Y-070	0-500mA	1:1000	0.02	70.0	87.0	73.0	60.0	110.0	40.0	54.0	8.5
		1:2000	0.05								