

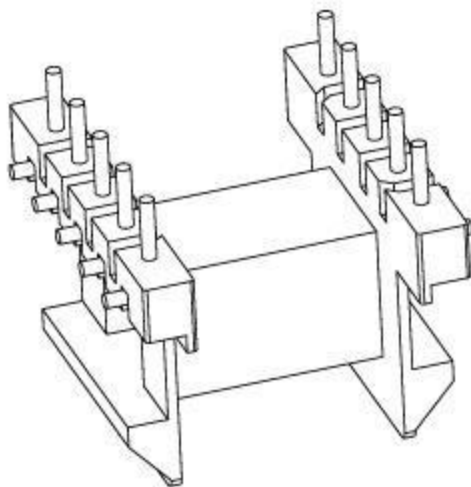
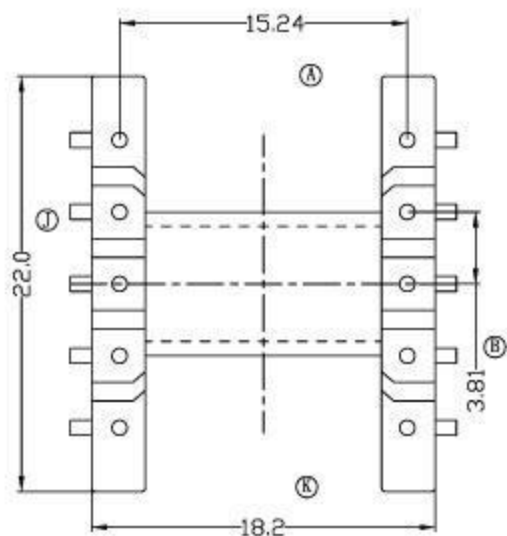
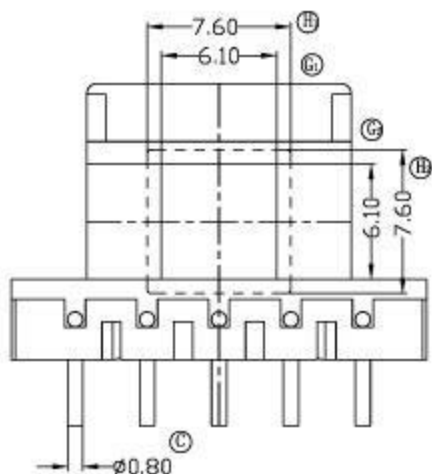
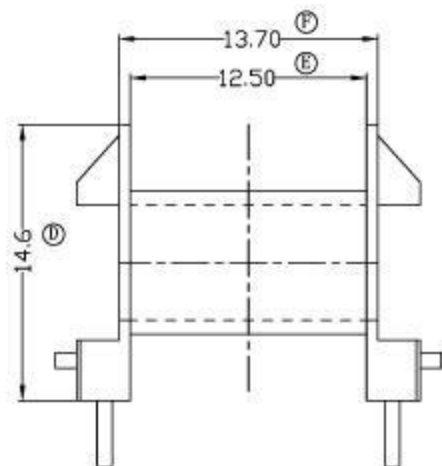


伏赛电子有限公司
Fusign Electronics Co., Ltd

型号

EF-2008-1

| REV | REVISIONS REC | DATE |
|-----|---------------|------|
| | | |
| | | |



| | | | | |
|------------|----------------|----------------------|------------------|-------------------|
| DRAWN BY | JING LI PENG | TOLERANCE | MODEL NAME: | EF20-10P-1S |
| CHECKER BY | LING RONG WANG | X. X ± 0.3 | BOBBIN MATERIAL: | PET |
| DATE | 01-01-2008 | X. XX ± 0.2 | SCALE: 2:1 | SCALE: UL 94V-0 |
| | | 壁厚: ± 0.15 | | SCALE: M/M |
| | | PIN PITCH ± 0.2 | | |