

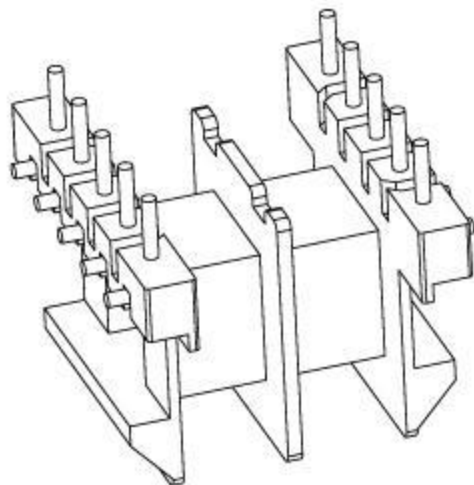
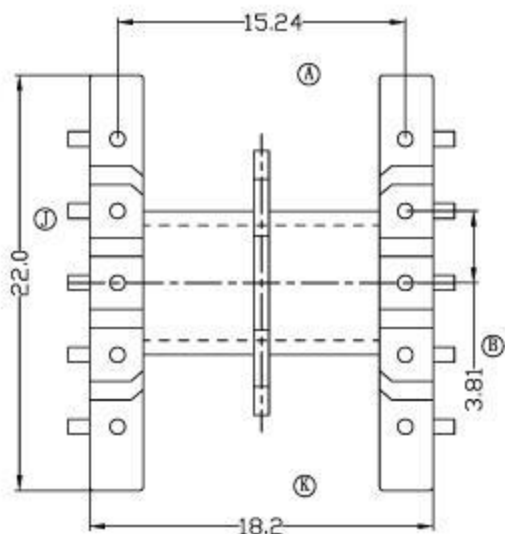
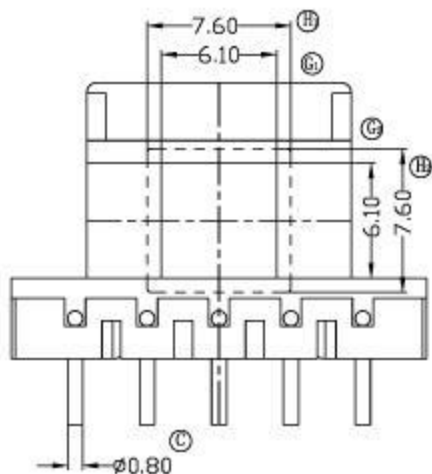
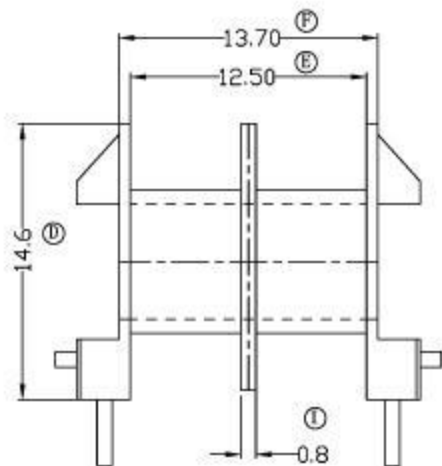


伏赛电子有限公司  
Fusign Electronics Co., Ltd

型号

EF-2008

REV	REVISIONS REC	DATE



DRAWNBY	JING LI PENG	TOLERANCE	MODEL NAME:	EF20-10P-2S
CHECKER BY	LING RONG WANG	X. X           ± 0.3	BOBBIN MATERIAL:	PET
DATE	01-01-2008	X. XX         ± 0.2	SCALE: 2:1	SCALE: UL 94V-0
		壁厚:         ± 0.15		SCALE: M/M
		PINPITCH     ± 0.2		

