

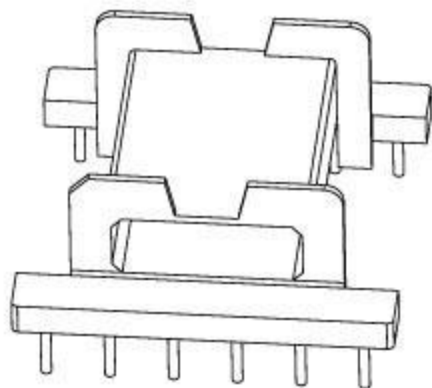
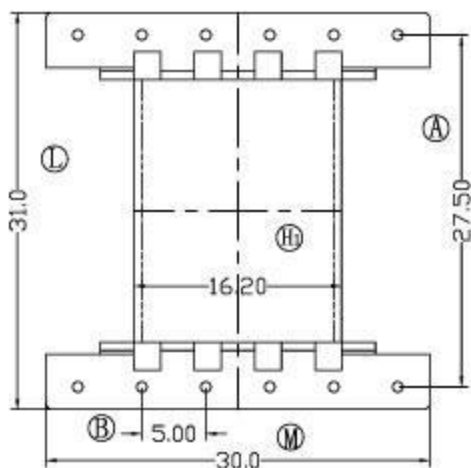
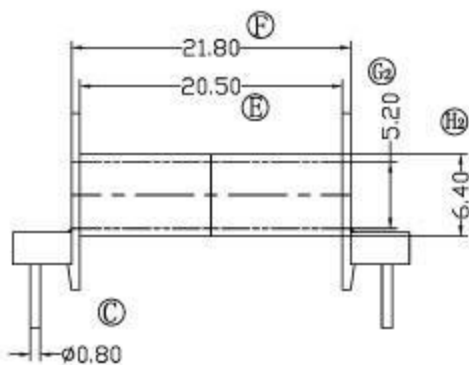
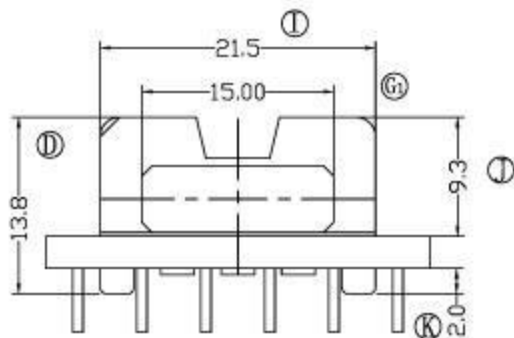


伏赛电子有限公司
Fusign Electronics Co., Ltd

型号

EFD-3001

REV	REVISIONS REC	DATE



DRAWN BY	JING LI PENG
CHECKER BY	LING RONG WANG
DATE	01-01-2008

TOLERANCE	
X. X	± 0.3
X. XX	± 0.2
壁厚:	± 0.15
PIN PITCH	± 0.2

MODEL NAME: EFD30-12P-1S	
BOBBIN MATERIAL: PHENOLIC	
SCALE: 3:1	SCALE: UL 94V-0
	SCALE: M/M