



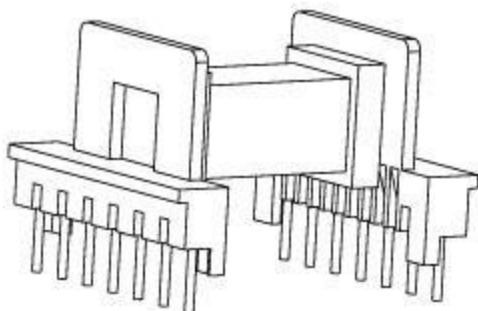
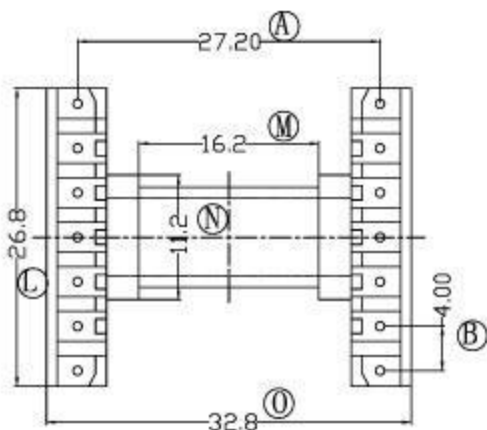
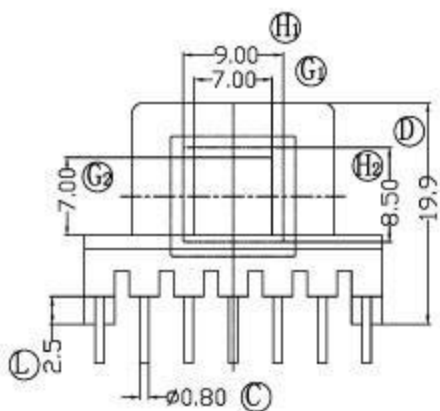
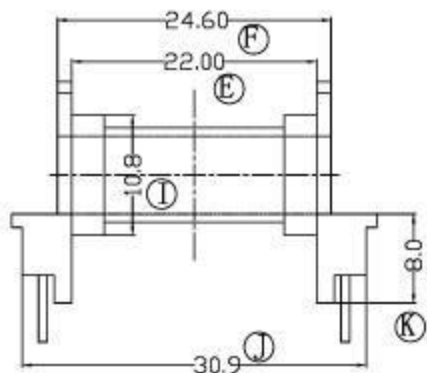
Fusign

 伏赛电子有限公司
 Fusign Electronics Co., Ltd

型号

EEL-2502

REV	REVISIONS REC	DATE



DRAWN BY	JING LI PENG	TOLERANCE	MODEL NAME:	EEL-25 (7+7P)
CHECKER BY	LING RONG WANG		BOBBIN MATERIAL:	PHENOLIC
DATE	01-01-2008	X, X ± 0.3	SCALE:	2:1
		X, XX ± 0.2	SCALE:	UL 94V-0
		壁厚: ± 0.15	SCALE:	M/M
		PINPITCH ± 0.2		