

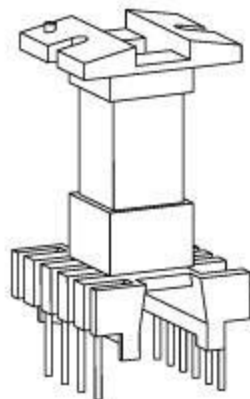
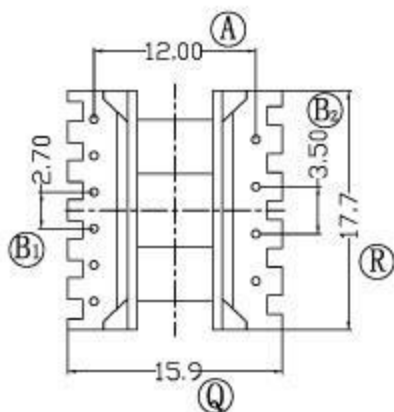
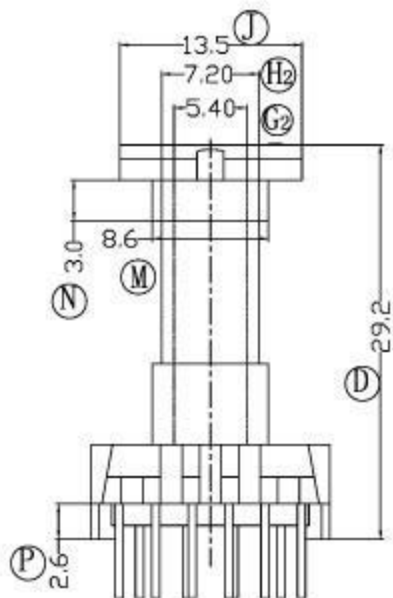
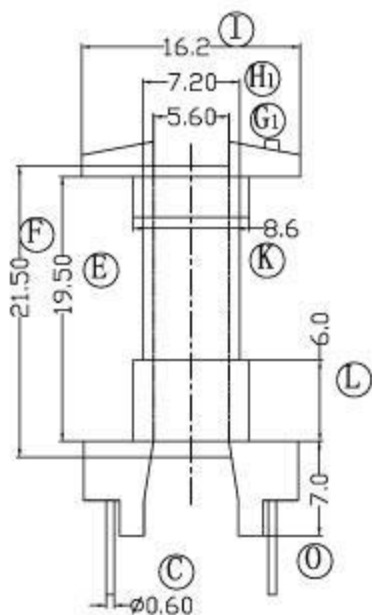


伏赛电子有限公司  
Fusign Electronics Co., Ltd

型号

EL-1903

REV	REVISIONS REC	DATE



DRAWNBY

JING LI PENG

TOLERANCE

MODEL NAME:

EL19-(4+6P)

CHECKER BY

LING RONG WANG

X.X ± 0.3  
X.XX ± 0.2  
壁厚: ± 0.15  
PINPITCH ± 0.2

BOBBIN MATERIAL:

PHENOLIC

DATE

01-01-2008

SCALE:

2:1

SCALE:

UL 94V-0



SCALE:

M/M