

HONESTY PASSION INNOVATION

welcome to read and use our company's products

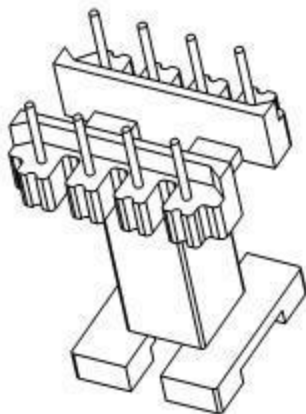
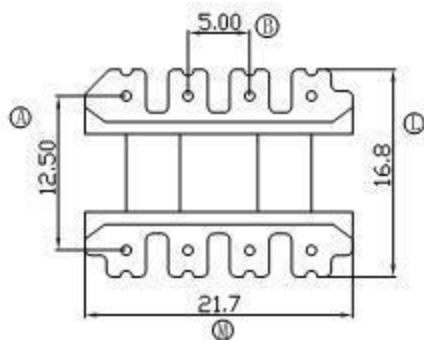
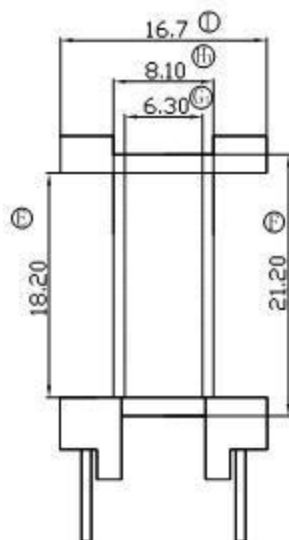
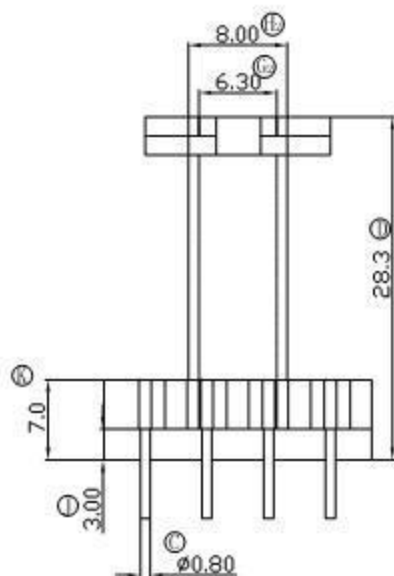


伏赛电子有限公司  
Fusign Electronics Co., Ltd

型号

EL-2202

REV	REVISIONS REC	DATE



DRAWNBY	JING LI PENG	TOLERANCE	MODEL NAME:	EL-22 (4+4P)	
CHECKER BY	LING RONG WANG		X. X            ± 0.3 X. XX          ± 0.2 壁厚:          ± 0.15 PINPITCH      ± 0.2	BOBBIN MATERIAL:	PHENOLIC
DATE	01-01-2008		SCALE: 2:1	SCALE: UL 94V-0	
					SCALE: M/M