



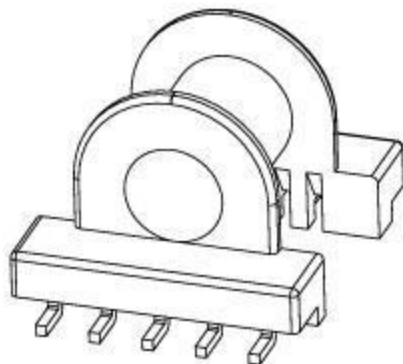
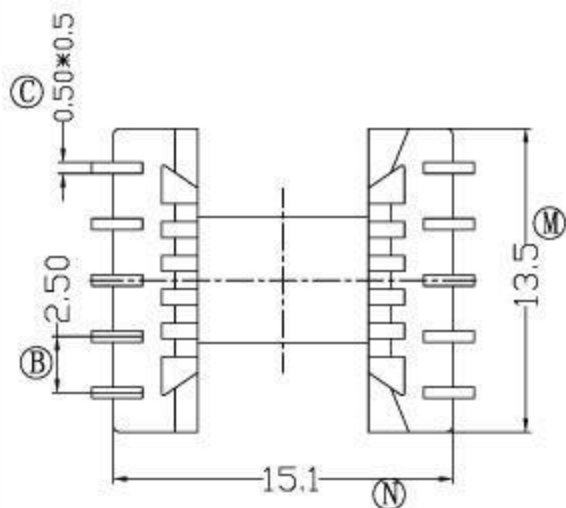
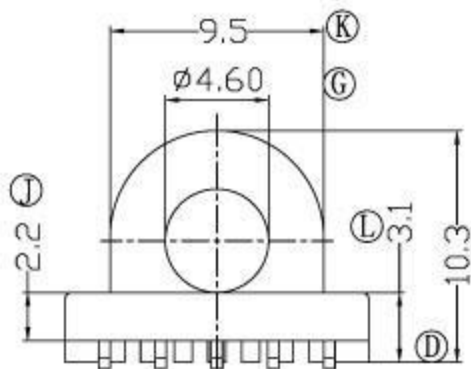
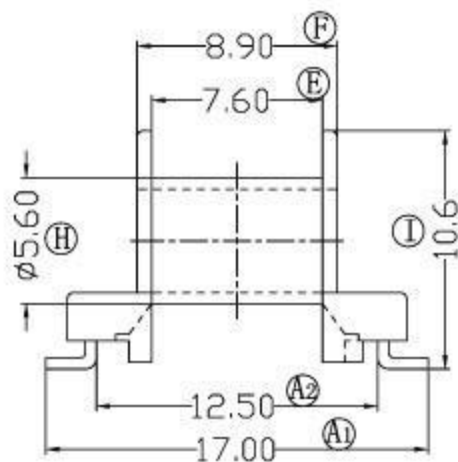
Fusign

 伏赛电子有限公司  
 Fusign Electronics Co., Ltd

型号

EP-1305

| REV | REVISIONS REC | DATE |
|-----|---------------|------|
|     |               |      |
|     |               |      |



DRAWN BY

JING LI PENG

TOLERANCE

MODEL NAME:

EP13-10P-1S

CHECKER BY

LING RONG WANG

 X. X            ± 0.3  
 X. XX          ± 0.2  
 壁厚:          ± 0.15  
 PINPITCH      ± 0.2

BOBBIN MATERIAL:

PHENOLIC

DATE

01-01-2008

SCALE: 3:1

SCALE: UL 94V-0



SCALE: M/M