



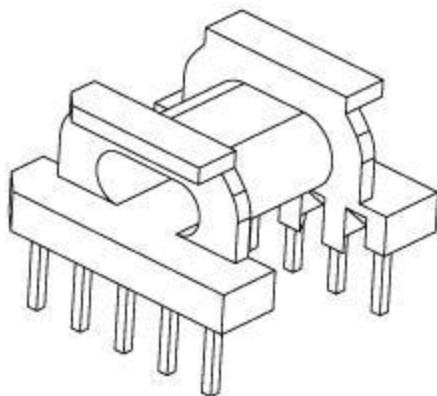
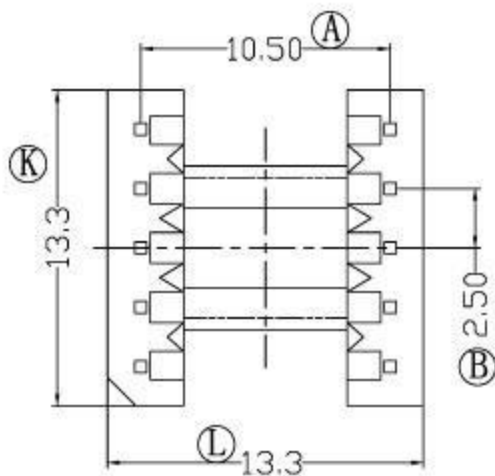
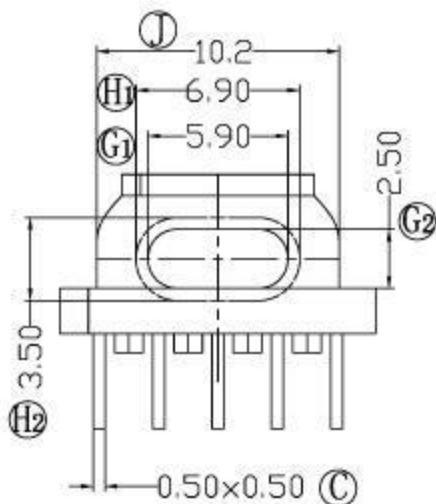
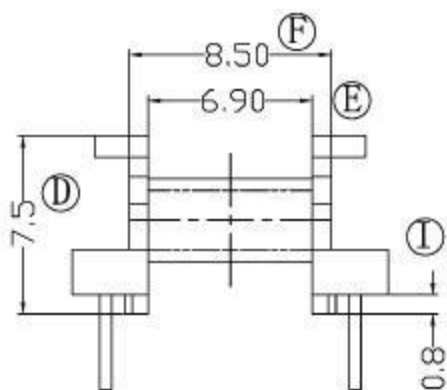
Fusign

 伏赛电子有限公司  
 Fusign Electronics Co., Ltd

型号

EPC-1301

REV	REVISIONS REC	DATE



DRAWN BY	JING LI PENG	TOLERANCE	MODEL NAME:	EPC13-10P-1S	
CHECKER BY	LING RONG WANG		X. X $\pm 0.3$ X. XX $\pm 0.2$ 壁厚: $\pm 0.15$ PINPITCH $\pm 0.2$	BOBBIN MATERIAL:	PHENOLIC
DATE	01-01-2008		SCALE:	4:1	SCALE: UL 94V-0
					SCALE: M/M