



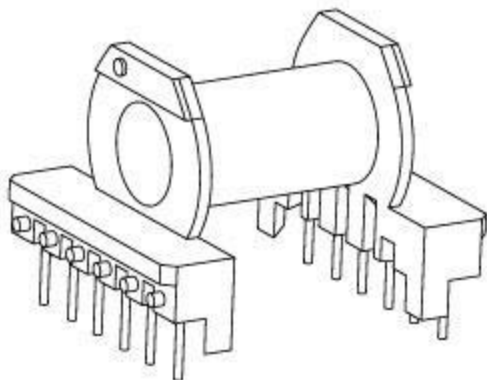
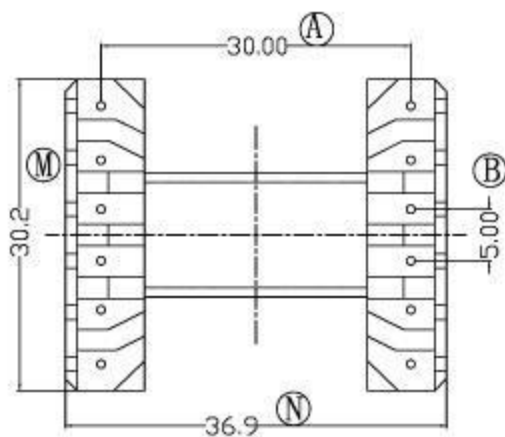
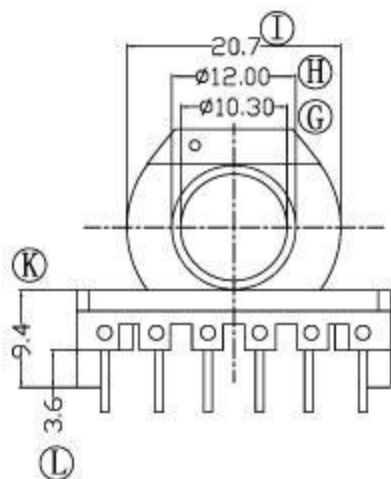
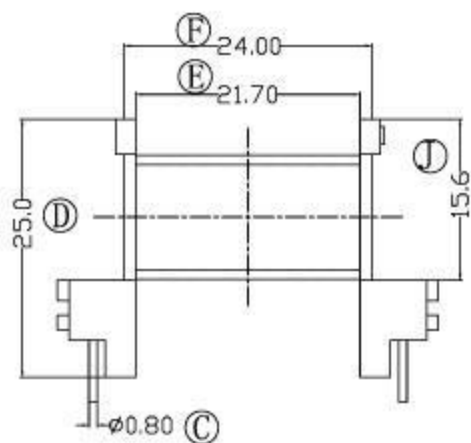
Fusign

伏赛电子有限公司  
Fusign Electronics Co., Ltd

型号

ER-2802-1

REV	REVISIONS REC	DATE



DRAWNBY

JING LI PENG

TOLERANCE

MODEL NAME:

ER-2834 (6+6P)

CHECKER BY

LING RONG WANG

X.X  $\pm 0.3$   
X.XX  $\pm 0.2$   
壁厚:  $\pm 0.15$   
PINPITCH  $\pm 0.2$

BOBBIN MATERIAL:

PHENOLIC

DATE

01-01-2008

SCALE:

2:1

SCALE: UL 94V-0



SCALE:

M/M