

HONESTY PASSION INNOVATION

welcome to read and use our company's products

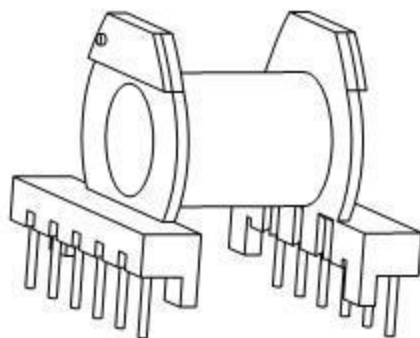
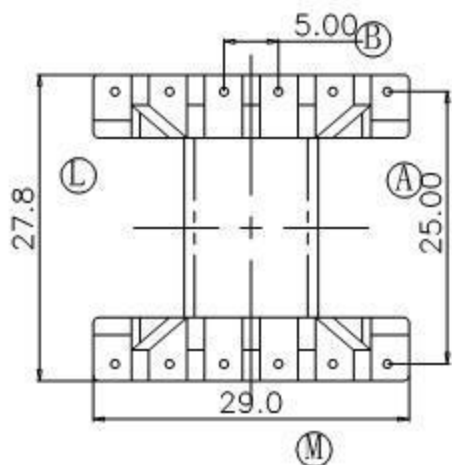
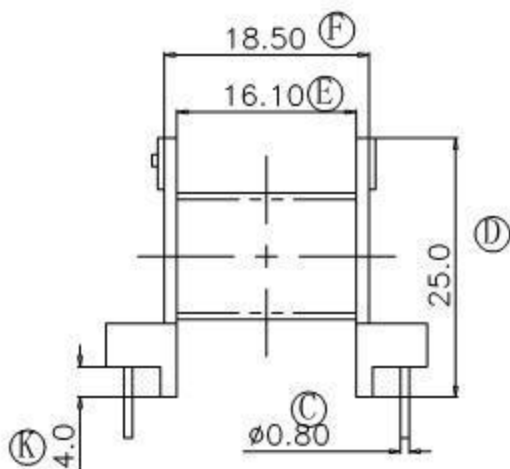
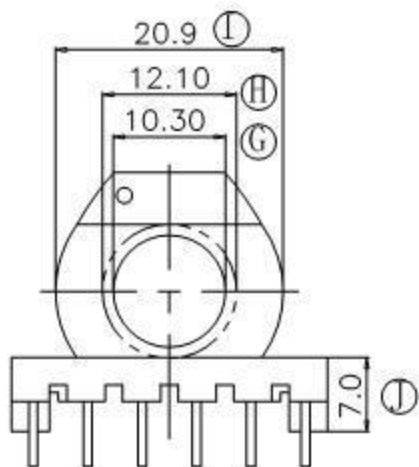


伏赛电子有限公司
Fusign Electronics Co., Ltd

型号

ER-2805-2

| REV | REVISIONS REC | DATE |
|-----|---------------|------|
| | | |
| | | |
| | | |



| | | | | | |
|------------|----------------|-----------|------------------|----------------|-----------------|
| DRAWNBY | JING LI PENG | TOLERANCE | MODEL NAME: | ER-2828 (6+6P) | |
| CHECKER BY | LING RONG WANG | | X. X | ± 0.3 | |
| DATE | 01-01-2008 | X. XX | ± 0.2 | | |
| | | 壁厚: | ± 0.15 | | |
| | | PINPITCH | ± 0.2 | | |
| | | | BOBBIN MATERIAL: | PHENOLIC | |
| | | | SCALE: | 2:1 | SCALE: UL 94V-0 |
| | | | | | SCALE: M/M |