



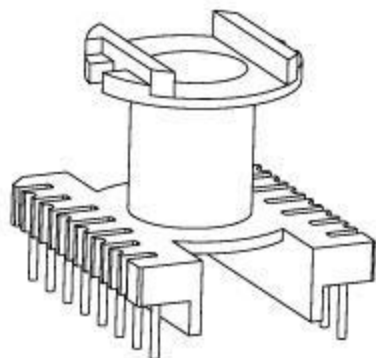
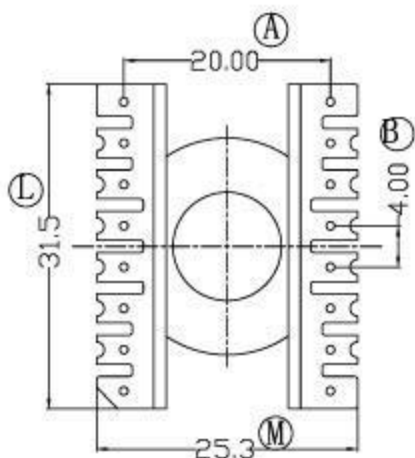
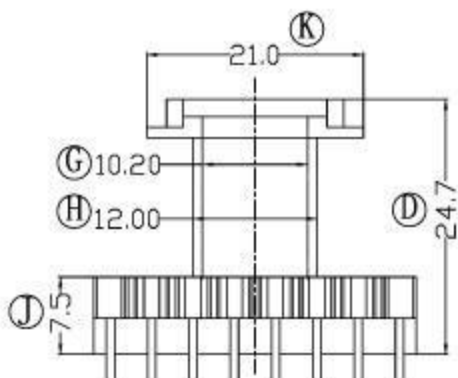
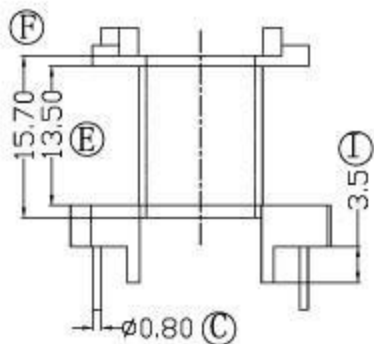
Fusign

 伏赛电子有限公司  
 Fusign Electronics Co., Ltd

型号

ER-2807

REV	REVISIONS REC	DATE



DRAWNBY

JING LI PENG

TOLERANCE

MODEL NAME:

ER-2825 (8+8P)

CHECKER BY

LING RONG WANG

X. X	$\pm 0.3$
X. XX	$\pm 0.2$
壁厚:	$\pm 0.15$
PINPITCH	$\pm 0.2$

BOBBIN MATERIAL:

PHENOLIC

DATE

01-01-2008

SCALE:

2:1

SCALE:

UL 94V-0



SCALE:

M/M