



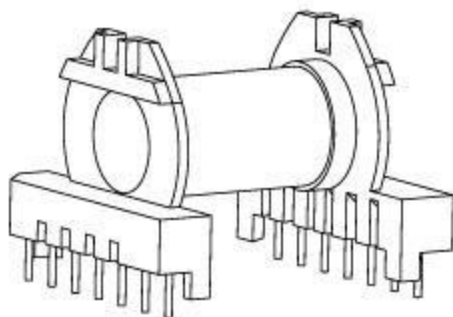
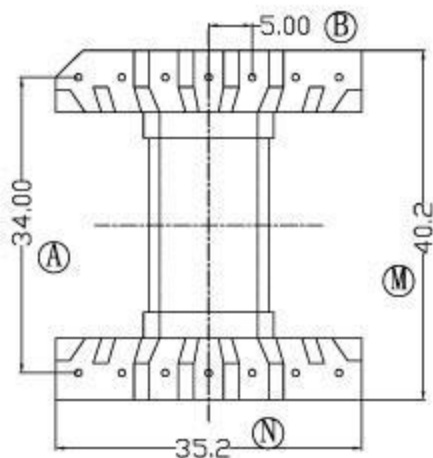
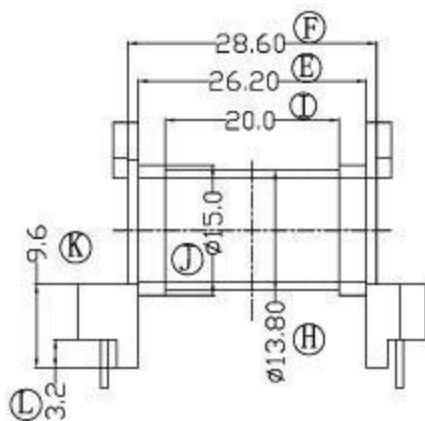
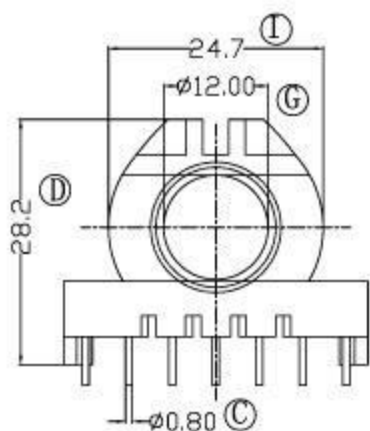
Fusign

 伏赛电子有限公司
 Fusign Electronics Co., Ltd

型号

ER-3502

| REV | REVISIONS REC | DATE |
|-----|---------------|------|
| | | |
| | | |



| | |
|------------|----------------|
| DRAWNBY | JING LI PENG |
| CHECKER BY | LING RONG WANG |
| DATE | 01-01-2008 |

| TOLERANCE | |
|-----------|--------|
| X. X | ± 0.3 |
| X. XX | ± 0.2 |
| 壁厚: | ± 0.15 |
| PINPITCH | ± 0.2 |

| | | |
|------------------|--------------|-----------------|
| MODEL NAME: | EC-35 (7+7P) | |
| BOBBIN MATERIAL: | PHENOLIC | |
| SCALE: | 2:1 | SCALE: UL 94V-0 |
| | | SCALE: M/M |